

A/V STANDS & ACCESSORIES

AV STANDS & ACCESSORIES

Sonorous provides audio&video related products with focus on quality, functionality and aesthetics. Founded in 2004, a solid position and reputation worldwide has been built up over the years. Now represented worldwide in more than 50 countries via strong partnerships with a global network of distributors.

Our products are engineered to meet the demanding needs of today's electronics and represent an attentive monitoring of market trends and changes. Continuous research into materials and finishes has been distinguishing characteristics of Sonorous.

WOOD SERIES	4 - 27
STUDIO SERIES	
RETRO SERIES	
MOOD SERIES	
LB SERIES	
TRN & TRD SERIES	
GLASS & METAL SERIES	28 - 33
PL SERIES	
SOUND SYSTEMS	34 - 39
PRO SERIES	40 - 41
WALL MOUNTS	42 - 52
FIXED	
TILT	
OMNI MOVE	
SOUNDBAR	
CABLE CHANNEL	
CABLES	53 - 58
HDMI	
AUDIO	
USB	
IR REPEATER	
ACCESSORIES	59 - 60
REMOTE STAND	
TV STRAP - ANTI TIP	
MONITOR STAND	

STUDIO SERIES

- FLAP DOOR WITH PUSH TO OPEN SYSTEM
- TOP PANEL TEMPERED GLASS
- FRONT DOOR WITH GLASS, WOOD DECORS OR FABRIC
- CABINET WITH BASE OR WALL HANGING (WALL HANGING ONLY FOR ST 160-260)
- ADJUSTABLE SHELVES FOR AV EQUIPMENT (ONLY FOR ST 160-161-200)
- EASY CABLE ACCESS BETWEEN SHELVES AND SECTIONS
- HIDDEN INFRARED REPEATER SYSTEM, REMOTE CONTROL FOR COMPONENTS BEHIND CABINET DOORS
- IR FRIENDLY FRONT GLASS (ONLY AVAILABLE FOR "I" MODEL)
- OPTIONAL BRACKET (EXCEPT ST 200)
- FULLY ASSEMBLED (A) OR DISASSEMBLED (D)
- ACOUSTIC FABRIC FOR AUDIO DEVICES INCLUDING CENTER SPEAKERS, SOUNDBARS
- ACOUSTIC PERFORATED DOOR FOR AUDIO DEVICES INCLUDING CENTER SPEAKERS, SOUNDBARS (ONLY FOR ST 200)

ST 160 ST 200 ST 261 ST 361
 ST 161 ST 260 ST 360 ST 362 ST 363

BODY COLORS

WHT-WHITE



BLK-BLACK



F- FLAP
 I- IR FRIENDLY GLASS
 T- TEXTILE
 P- PERFORATED(only for ST200)

DOOR OPTIONS AND COLORS

WOOD DECOR

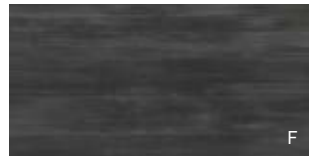
CWN-CASTELLO WALNUT



VIC-VICTORIA



BNW-BLACK NORTH WOOD

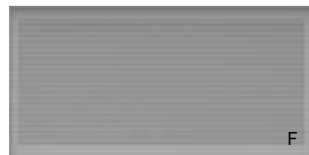


NOAK-NATURAL OAK



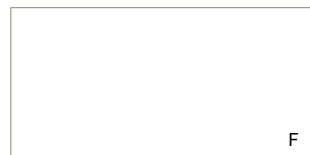
PERFORATED COLORS

WHT-WHITE



GLASS COLORS

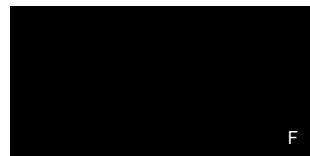
WHT-WHITE



BLK-BLACK



BLK-BLACK



HOW (I) GLASS LOOKS

I-BLK-BLACK



I-WHT-WHITE



TEXTILE

GRY-GRY

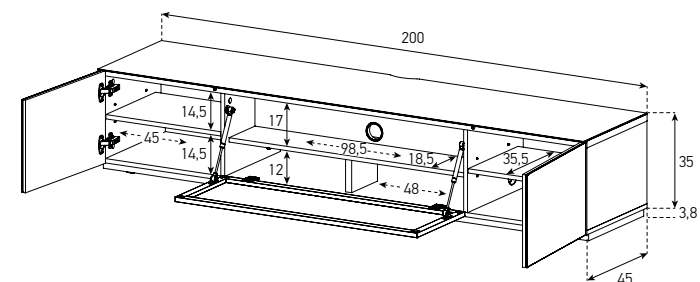


BLK-BLACK



STA 200P-WHT-WHT-BS



- MAX TOP LOAD
100 KG
- IDEAL SCREEN SIZE
85"

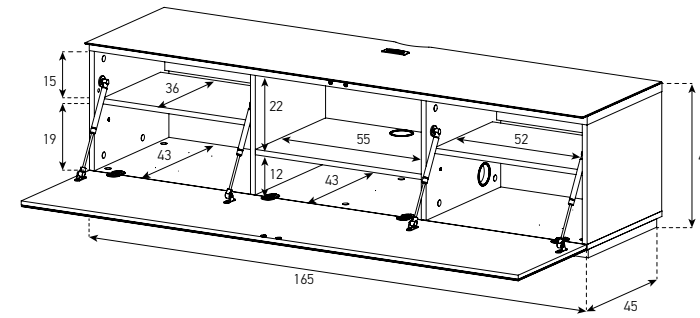





STA 360F-WHT-NOAK-SL

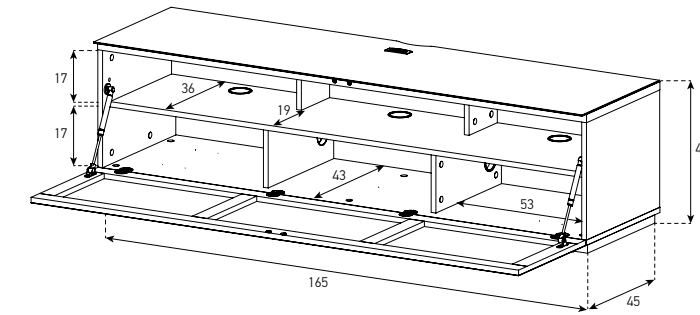
STA 160F-BLK-CWN-BS

-  MAX TOP LOAD
60 KG
-  IDEAL SCREEN SIZE
70"



STA 260T-WHT-BLK-BS

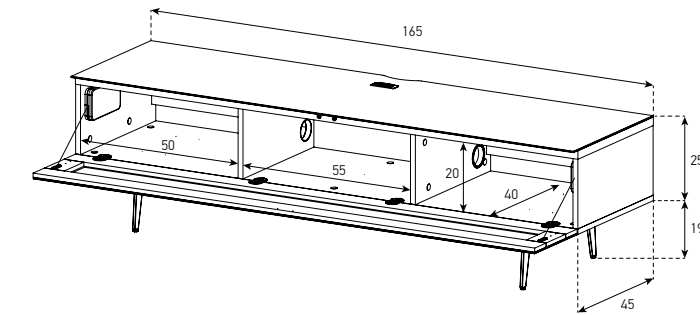
-  MAX TOP LOAD
60 KG
-  IDEAL SCREEN SIZE
70"



STA 200P-WHT-WHT-BS

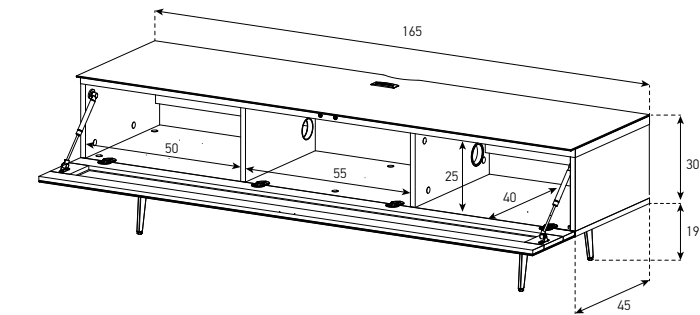
STA 360I-WHT-WHT-SL

-  MAX TOP LOAD
60 KG
-  IDEAL SCREEN SIZE
70"



STA 362I-WHT-BLK-SL

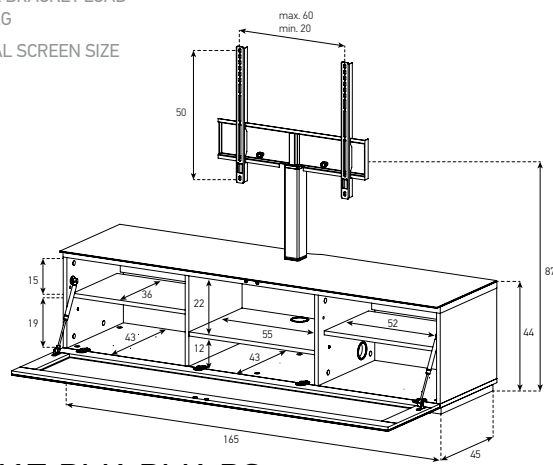
-  MAX TOP LOAD
60 KG
-  IDEAL SCREEN SIZE
70"



STA 1611-WHT-WHT-BS

MAX BRACKET LOAD
50 KG

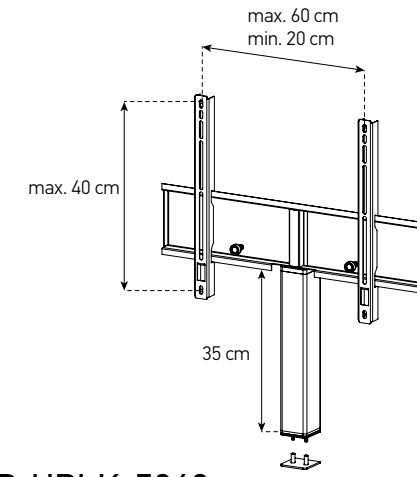
IDEAL SCREEN SIZE
60"



Bracket Kit ST-ADP-SLV-4060

MAX BRACKET LOAD
50 KG

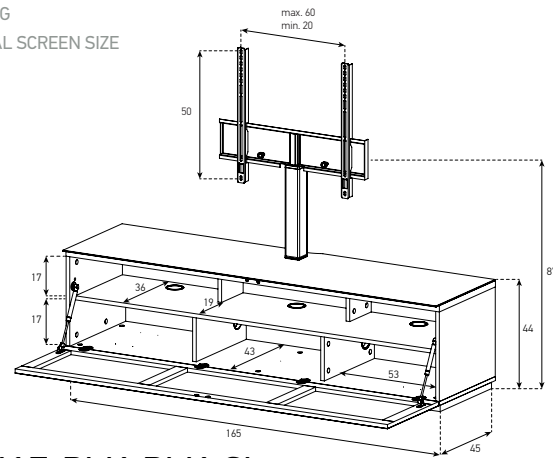
IDEAL SCREEN SIZE
60"



STA 261T-BLK-BLK-BS

MAX BRACKET LOAD
50 KG

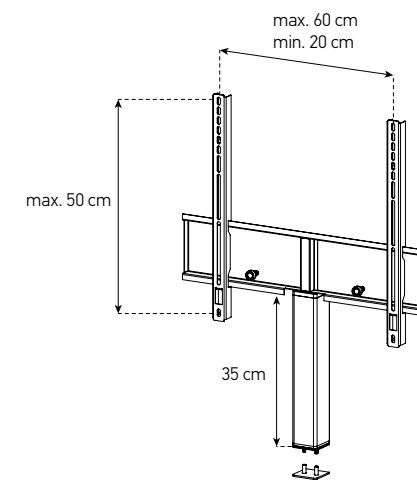
IDEAL SCREEN SIZE
60"



Bracket Kit ST-ADP-HBLK-5060

MAX BRACKET LOAD
50 KG

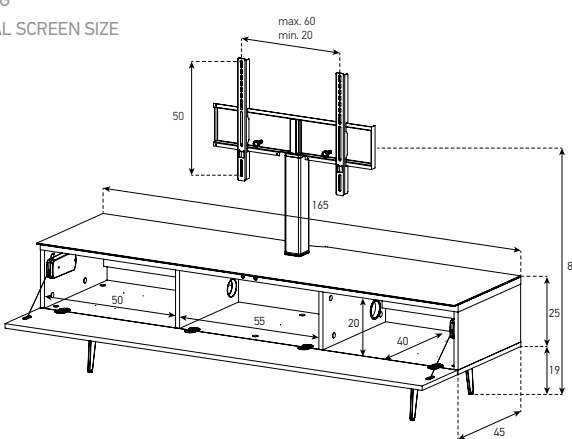
IDEAL SCREEN SIZE
60"



STA 361F-BLK-BLK-SL

MAX BRACKET LOAD
50 KG

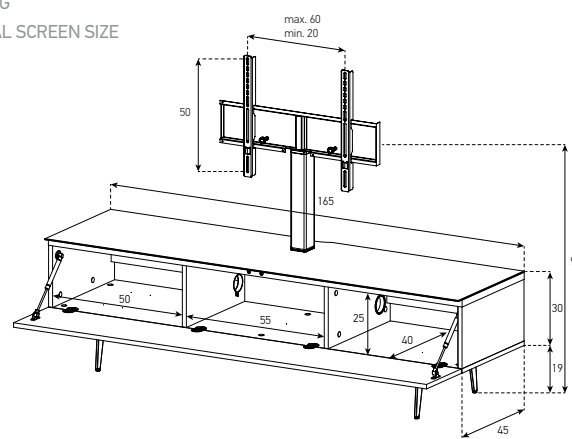
IDEAL SCREEN SIZE
60"



STA 363F-BLK-BNW-SL

MAX BRACKET LOAD
50 KG

IDEAL SCREEN SIZE
60"



STA 160I-WHT-WHT-BS

CODE SAMPLE

STA 160F-WHT-WHT-BS

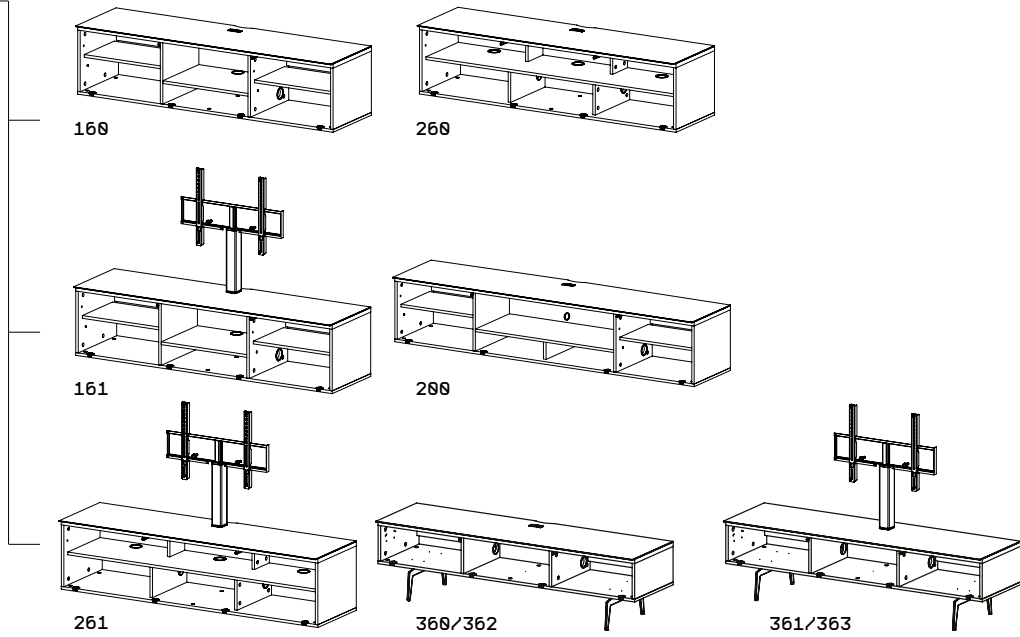
1 2 3 4 5 6 7

1- STUDIO SERIES

2- ASSEMBLE OPTION

- (A) - ASSEMBLED
- (D) - DISASSEMBLED

3- MODEL



4- DOOR OPTION

- (F) - FLAP (NOT APPLICABLE TO 260/261 MODELS)
- (I) - IR FRIENDLY (GLASS)
- (T) - TEXTILE
- (P) - PERFORATED (ONLY FOR ST 200)

5- BODY COLOR

- (BLK) - BLACK
- (WHT) - WHITE

6- DOOR COLOR

- | | |
|--------------------------|-----------------|
| (WHT) - WHITE | (F) (I) (P) |
| (BLK) - BLACK | (F) (I) (T) (P) |
| (CWN) - CASTELLO WALNUT | (F) |
| (BNW) - BLACK NORTH WOOD | (F) |
| (NOAK) - NATURAL OAK | (F) |
| (VIC) - VICTORIA | (F) |
| (GRY) - GREY | (T) |

APPLICABLE DOOR
OPTIONS

7- FLOOR/WALL OPTION

- (BS) - BASE
- (WL) - WALL HANGING (EXCEPT 300 SERIES AND ST 200)
- (BW) - BASE & WALL HANGING
- (SL) - STEEL LEGS (ONLY AVAILABLE FOR 300 SERIES)

RETRO SERIES

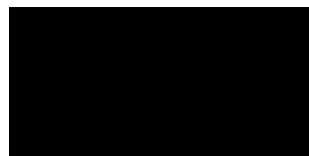
- Contemporary design to complement your décor
- Sturdy construction to support large screen TVs up to 70"
- Dimensions: 140/180 cm X 54 cm X 40 cm
- Max. Top load : 60 kg
- Optimum dimension to accommodate your AV equipment
- Conical solid wood feet
- Two sliding doors with several uni-decor colors
- Cable management system
- Adjustable shelves to optimize spaces for AV equipments



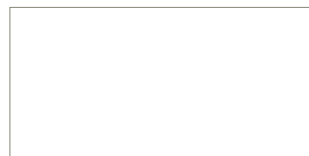
RTR 140
RTR 180

BODY COLORS

BLK-BLACK



WHT-WHITE



VIC-VICTORIA

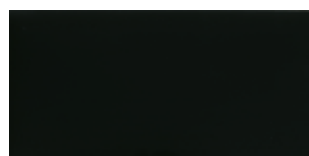


NOAK-NATURAL OAK



DOOR COLORS

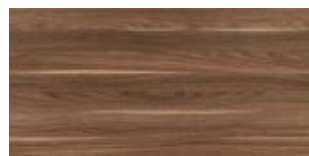
GBLK-GLOSSY BLACK



CWN-CASTELLO WALNUT



VIC-VICTORIA



GWHT-GLOSSY WHITE



BNW-BLACK NORTH WOOD

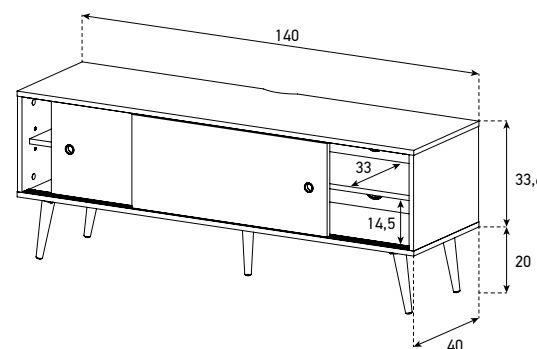


NOAK-NATURAL OAK



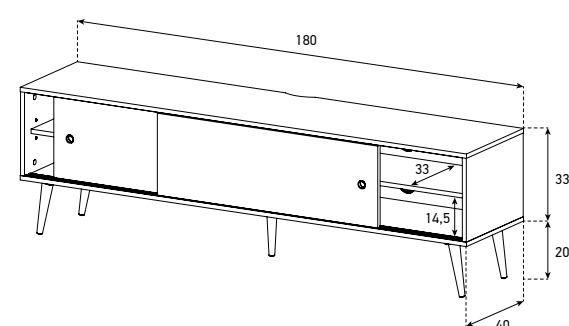
RTR 140-BLK-BNW

- MAX TOP LOAD
60 KG
- IDEAL SCREEN SIZE
60"



RTR 180-WHT-VIC

- MAX TOP LOAD
60 KG
- IDEAL SCREEN SIZE
70"



MOOD SERIES

- TEMPERED GLASS WITH FLAT POLISHED EDGE
- ANODIZED OR POWDER COATED ALUMINIUM PROFILES IN BACK COLUMN AND LEGS
- MELAMINE FACED WOOD FOR FINISHING CABINETS
- NON-SCRATCH HIGH GLOSS FLAP OR DRAWER DOORS
- ENOUGH SPACE FOR A/V EQUIPMENT
- CABINET FLAP FOR DVD HOLDER
- CABINET DRAWER WITH "SILENT STOP"
- INTEGRATED CABLE MANAGEMENT SYSTEM
- HIDDEN CASTERS
- ↳ 24° SWIVEL SYSTEM
- ADJUSTABLE HEIGHT FOR BRACKET (+/- 75 MM)

MD 8140	MD 8340	MD 9240
MD 8143	MD 8540	MD 9340
MD 8240	MD 9140	MD 9540

GLASS COLORS

C-CLEAR



B-BLACK



WOOD FINISHING

BLK-BLACK



CWN-CASTELLO WALNUT



VIC-VICTORIA



ALUMINIUM FINISHING

INX-INOX



HBLK-HIGH GLOSS BLACK



WHT-WHITE



BNW-BLACK NORTH WOOD



NOAK-NATURAL OAK



GRP-GRAPHITE

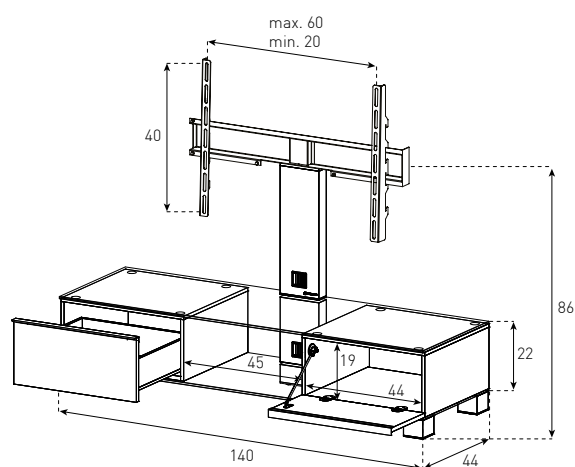


RED-RED



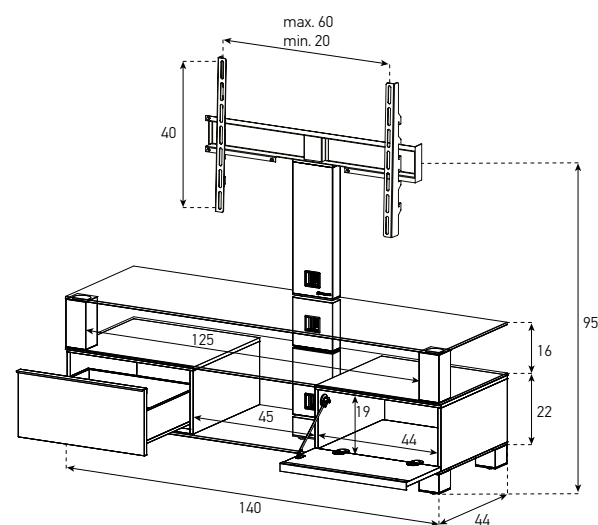
MD 8140-C-INX-WHT

- MAX BRACKET LOAD
50 KG
- IDEAL SCREEN SIZE
60"



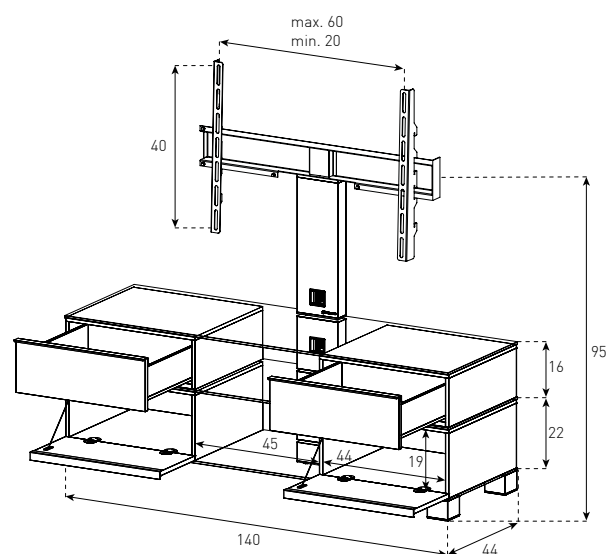
MD 8143-B-HBLK-BLK

- MAX BRACKET LOAD
50 KG
- IDEAL SCREEN SIZE
60"



MD 8240-C-INX-RED

- MAX BRACKET LOAD
50 KG
- IDEAL SCREEN SIZE
60"



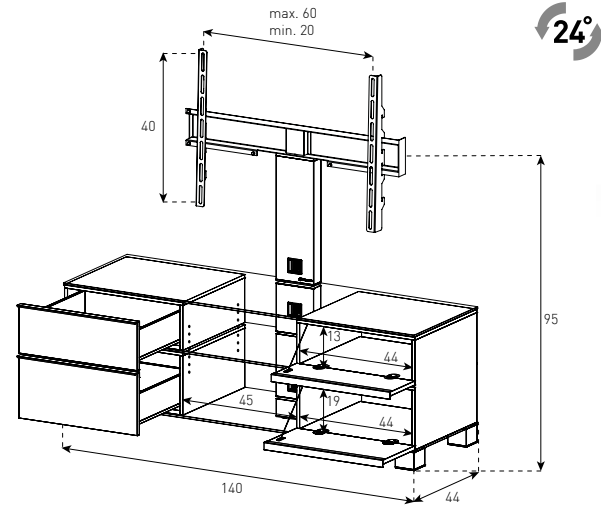
MD 8240-C-INX-WHT



MD 8340-B-INX-BLK

 MAX BRACKET LOAD
50 KG

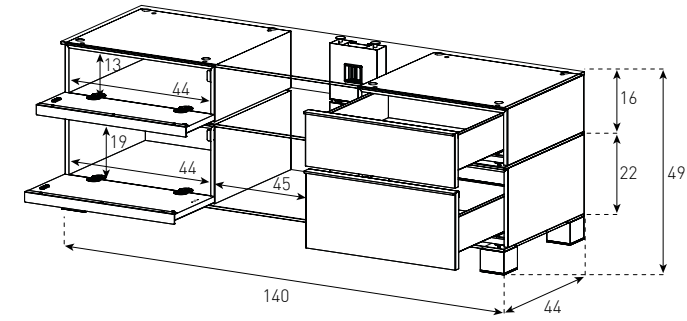
 IDEAL SCREEN SIZE
60"




MD 9240-B-INX-NOAK

 MAX TOP LOAD
80 KG

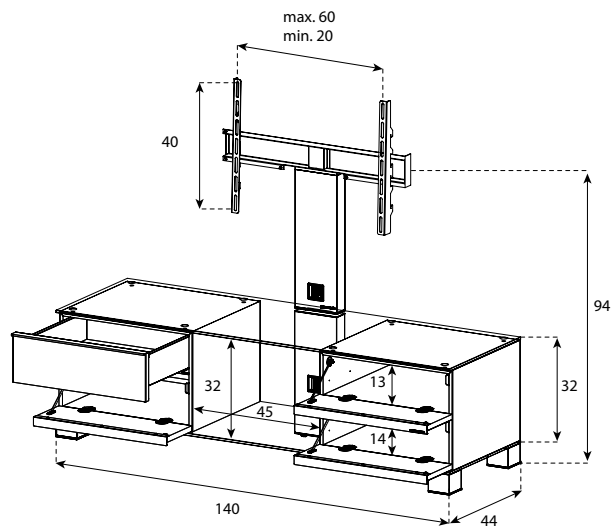
 IDEAL SCREEN SIZE
60"



MD 8540-B-INX-VIC

 MAX BRACKET LOAD
50 KG

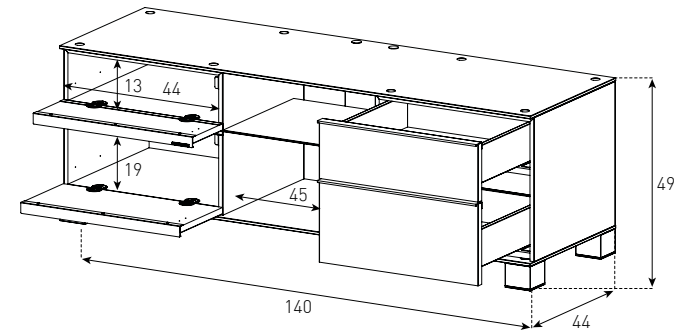
 IDEAL SCREEN SIZE
60"



MD 9340-B-INX-BNW


 MAX TOP LOAD
80 KG

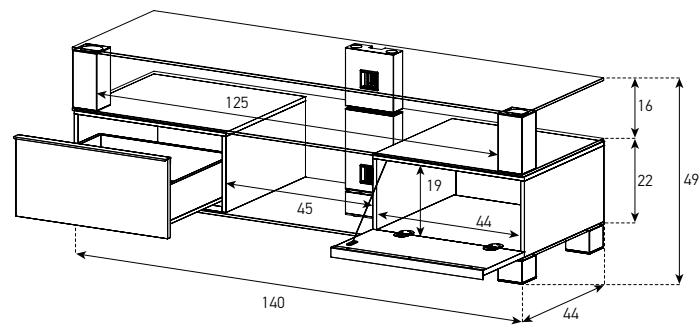
 IDEAL SCREEN SIZE
60"



MD 9140-B-HBLK-NOAK


 MAX TOP LOAD
80 KG

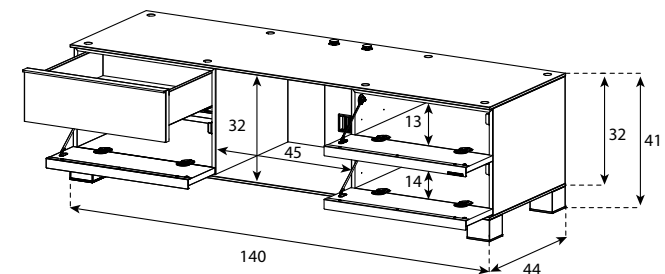
 IDEAL SCREEN SIZE
60"



MD 9540-B-INX-CWN

 MAX TOP LOAD
80 KG

 IDEAL SCREEN SIZE
60"



LB SERIES

LB 1123 / LB 2120

BLACK TEMPERED GLASS

DRAWERS WITH PUSH TO OPEN SYSTEM

HIDDEN CASTERS

LB 1530 / 1830 / 1840 / 1540 / 1181 / 2030

BLACK TOP PANEL COVERED WITH BLACK TEMPERED GLASS

GLOSSY AND WOOD DECOR FRONT DOORS

REMOVABLE MIDDLE SHELVES

DRAWERS WITH PUSH TO OPEN SYSTEM

LB 1123¹
LB 1181³
LB 1530²

LB 1540²
LB 1830²
LB 1840²

LB 2030²
LB 2120¹
LB 124⁴

LB 144⁴

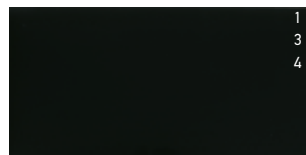
GLASS COLORS

B-BLACK



BODY COLORS

BLK-BLACK



GBLK-GLOSSY BLACK



DOOR COLORS

GBLK-GLOSSY BLACK



NOAK-NATURAL OAK



GWHT-GLOSSY WHITE



BNW-BLACK NORTH WOOD



CWN-CASTELLO WALNUT



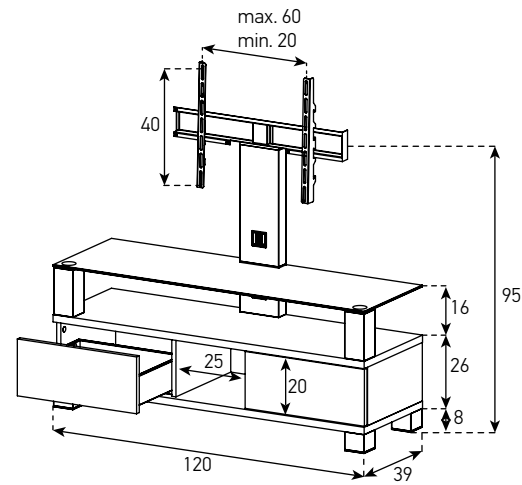
VIC-VICTORIA



LB 1123-B-BLK-GBLK

MAX BRACKET LOAD
40 KG

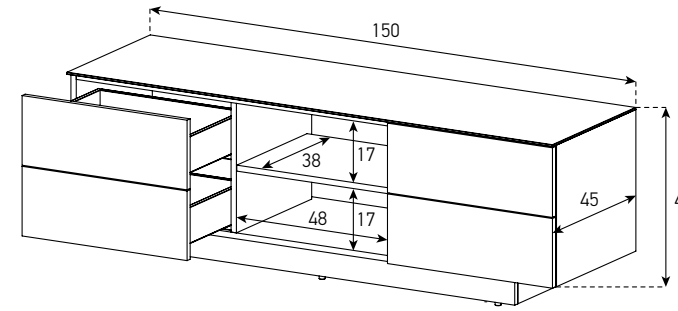
IDEAL SCREEN SIZE
50"



LB 1540-B-GBLK-NOAK

MAX TOP LOAD
40 KG

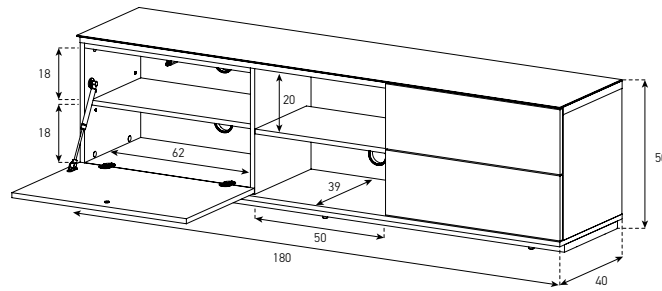
IDEAL SCREEN SIZE
50"



LB 1181-B-BLK-CWN

MAX TOP LOAD
40 KG

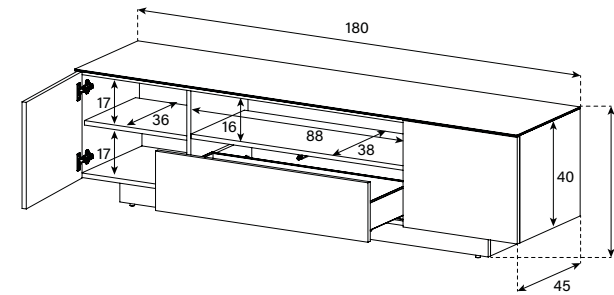
IDEAL SCREEN SIZE
50"



LB 1830-B-GBLK-BNW

MAX TOP LOAD
50 KG

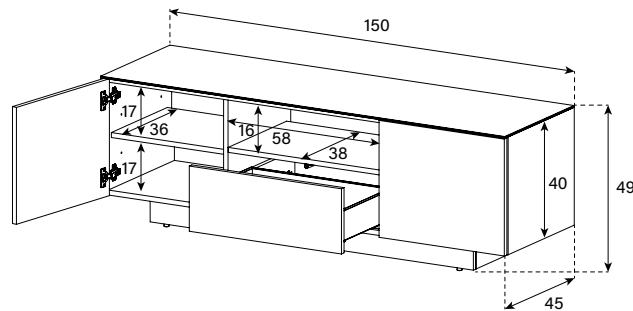
IDEAL SCREEN SIZE
70"



LB 1530-B-GBLK-CWN

MAX TOP LOAD
40 KG

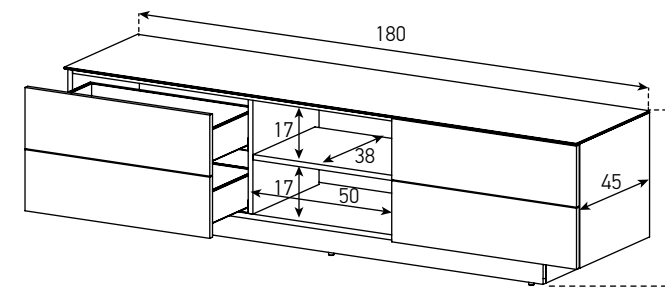
IDEAL SCREEN SIZE
50"



LB 1840-B-GBLK-GWHT

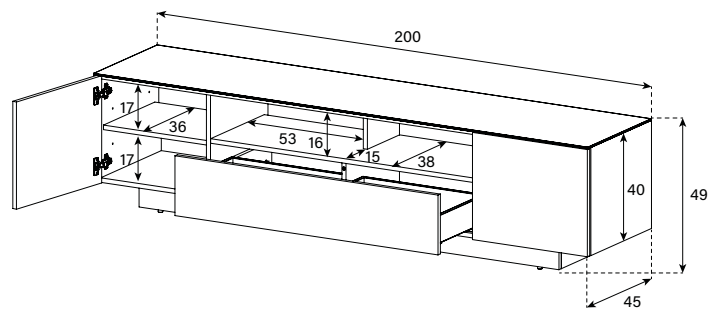
MAX TOP LOAD
80 KG

IDEAL SCREEN SIZE
70"



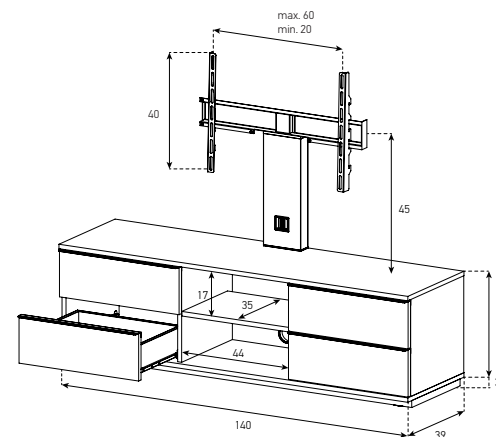
LB 2030-B-GBLK-VIC

- MAX TOP LOAD
80 KG
- IDEAL SCREEN SIZE
82"



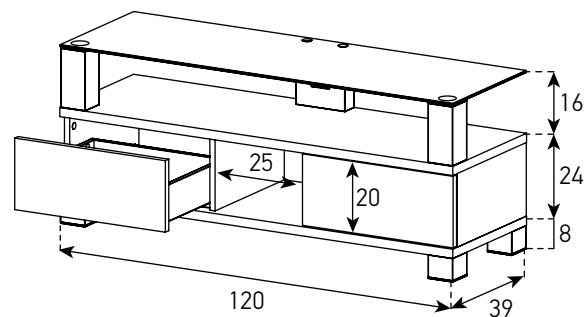
LB 144-BLK-NOAK

- MAX TOP LOAD
50 KG
- IDEAL SCREEN SIZE
55"



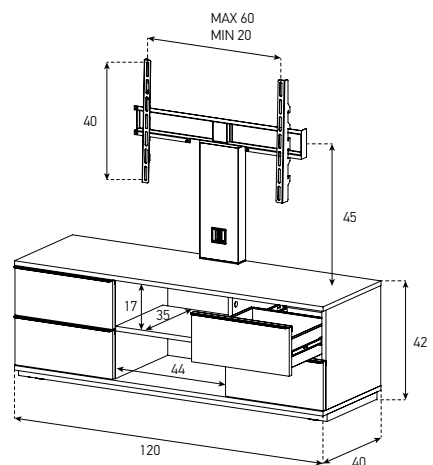
LB 2120-B-BLK-GBLK

- MAX TOP LOAD
50 KG
- IDEAL SCREEN SIZE
50"



LB 124-BLK-BLK

- MAX TOP LOAD
50 KG
- IDEAL SCREEN SIZE
50"



LB 2030-GWHT-CWN



TRD SERIES

TRD
WOOD CABINET WITH FLAP DOWN OR SIDE OPENING DOORS
SHELVES FOR A/V EQUIPMENTS

TRD 90
TRD 100
TRD 120
TRD 150

GLASS COLORS

B-BLACK



BODY COLORS

GWHT-GLOSSY WHITE



GBLK-GLOSSY BLACK



ALUMINIUM FINISHING

SLV-SILVER



DOOR COLORS

GBLK-GLOSSY BLACK



VIC-VICTORIA



CWN-CASTELLO WALNUT



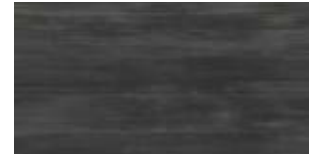
HBLK-HIGH GLOSS BLACK



GWHT-GLOSSY WHITE



BNW-BLACK NORTH WOOD

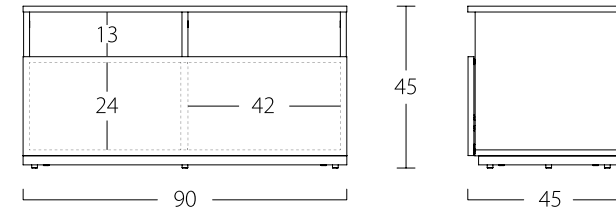


NOAK-NATURAL OAK



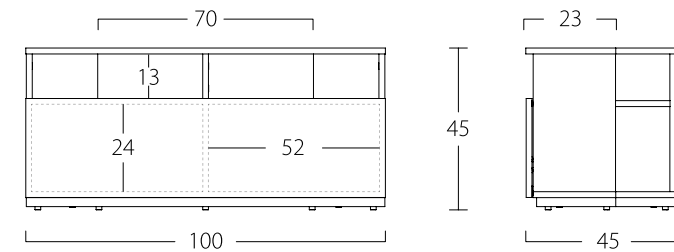
TRD 90-GBLK-VIC

MAX LOAD
50 KG
IDEAL SCREEN SIZE
42"



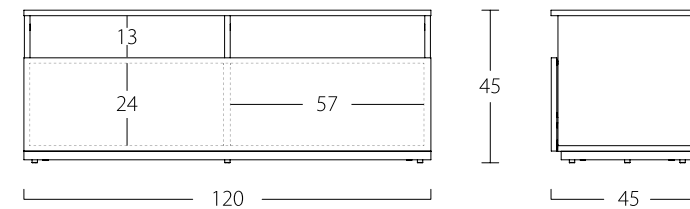
TRD 100-GBLK-NOAK

MAX LOAD
50 KG
IDEAL SCREEN SIZE
50"



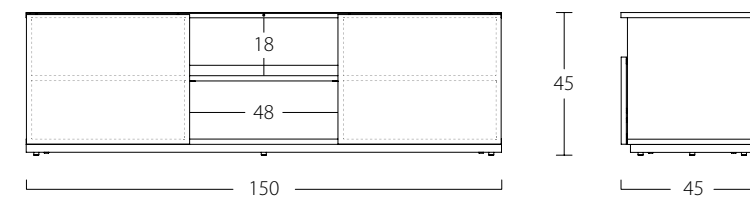
TRD 120-GBLK-CWN

MAX LOAD
50 KG
IDEAL SCREEN SIZE
55"



TRD 150-GWHT-NOAK

MAX LOAD
50 KG
IDEAL SCREEN SIZE
60"



PL SERIES

- TEMPERED GLASS WITH FLAT POLISHED EDGE
- ELLIPTICAL OR RECTANGLE SHAPED ALUMINIUM
- INTEGRATED CABLE MANAGEMENT SYSTEM
- HIDDEN CASTERS
- SWIVEL SYSTEM
- ADJUSTABLE HEIGHT FOR BRACKET

- PL 2345⁴
- PL 2510³
- PL 2515³
- PL 2700⁴
- PL 2710⁴
- PL 2800²
- PL 2810²

ALUMINIUM COLORS

SLV-SILVER



HBLK-HIGH GLOSS BLACK

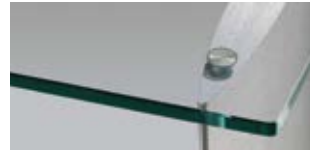


INX-INOX



GLASS COLORS

C-CLEAR



B-PIANOBLACK



WHT-WHITE

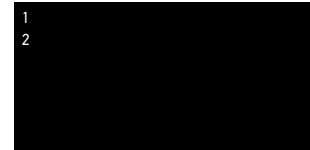


RED-RED

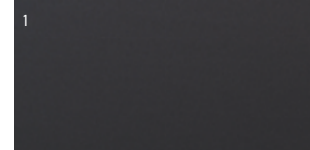


PL2700-PL2710-PL2800-PL2810 GLASS COLOR OPTIONS

BLK-BLACK



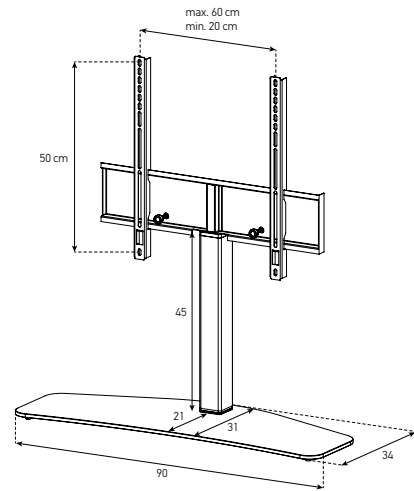
GRP-GRAPHITE



PL 2345-B-HBLK

MAX BRACKET LOAD
40 KG

IDEAL SCREEN SIZE
60"



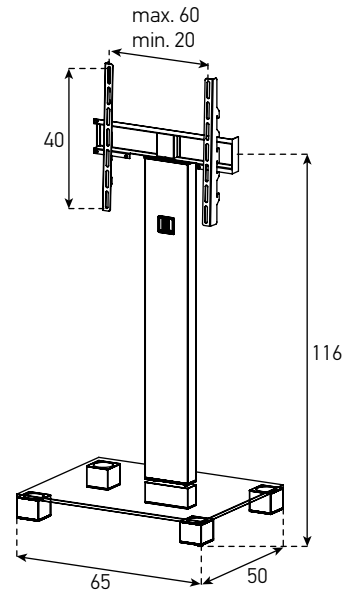
45°



PL 2510-B-INX

MAX BRACKET LOAD
50 KG

IDEAL SCREEN SIZE
60"



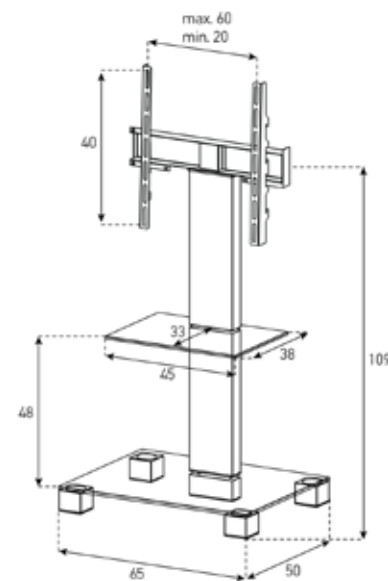
24°



PL 2515-B-HBLK

MAX BRACKET LOAD
50 KG

IDEAL SCREEN SIZE
50"



24°



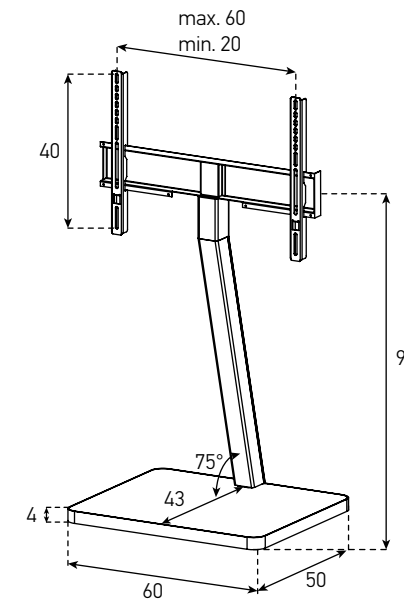
PL 2700-BLK-INX

MAX BRACKET LOAD
30 KG

IDEAL SCREEN SIZE
55"

GLASS COLOR OPTIONS

WHT-WHITE
BLK-BLACK
RED-RED
GRP-GRAPHITE



45°



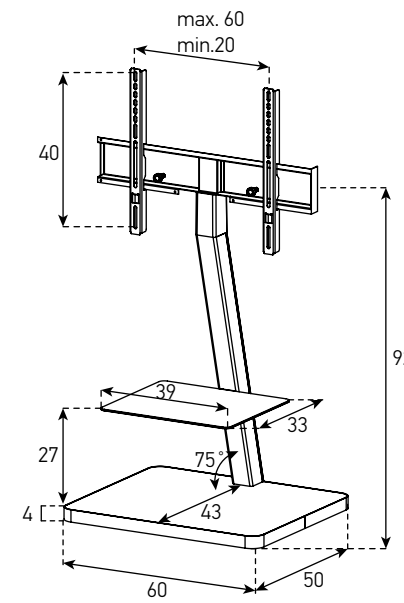
PL 2710-BLK-INX

MAX BRACKET LOAD
30 KG

IDEAL SCREEN SIZE
55"

GLASS COLOR OPTIONS

WHT-WHITE
BLK-BLACK
RED-RED
GRP-GRAPHITE



45°



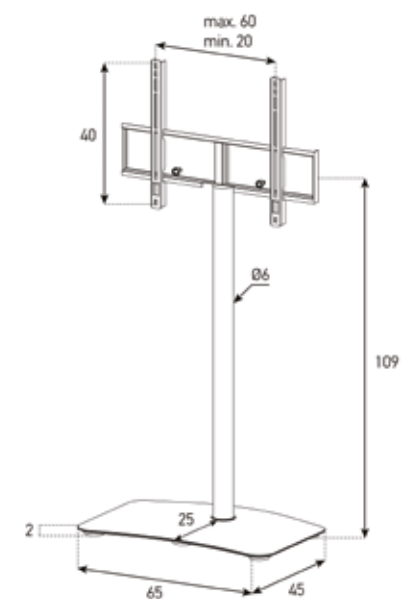
PL 2800-WHT

MAX BRACKET LOAD
30 KG

IDEAL SCREEN SIZE
55"

GLASS COLOR OPTIONS

WHT-WHITE
BLK-BLACK



45°



PL 2810-BLK

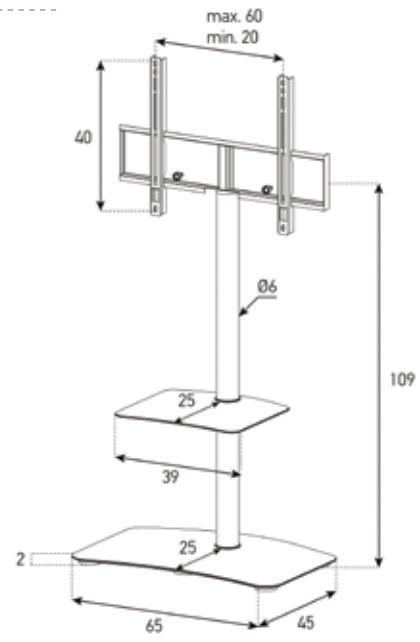
MAX BRACKET LOAD
30 KG

IDEAL SCREEN SIZE
55"

GLASS COLOR OPTIONS

WHT-WHITE

BLK-BLACK



PL 2700-BLK-INX



PL 2710-BLK-INX



SOUND SYSTEMS

ROXY

TEMPERED GLASS WITH FLAT POLISHED EDGE

Ø 60 MM AND ELLIPTICAL SHAPED ALUMINIUM

SQUARE SHAPED ALUMINIUM AND HIDDEN WHEELS FOR RX 5040

INTEGRATED CABLE MANAGEMENT SYSTEM (NOT AVAILABLE FOR RX 5040)

SPEAKER

UNIVERSAL COMPATIBILITY

ADJUSTABLE HEIGHT (FOR SP 300)

RX 2130	SP 100 ¹
RX 2140	SP 200
RX 2150	SP 300
RX 5040 ²	SP 500
RX 6040 ³	SP 600

ALUMINIUM COLORS

SLV-SILVER



HBLK-HIGH GLOSS BLACK



INX-INOX



GLASS COLORS

C-CLEAR



B-PIANOBLACK



WHT-WHITE



WOOD COLORS

VIC-VICTORIA



METAL COLORS

BLK-BLACK



WHT-WHITE



RX 2140-C-SLV
SP 100-BLK

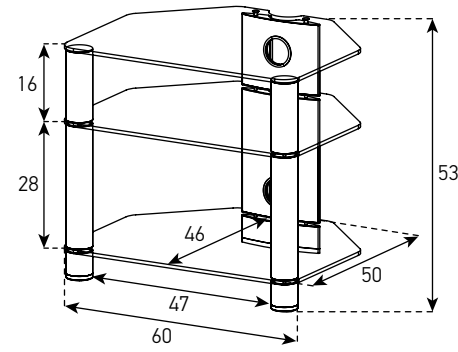


RX 5040-B-INX
SP 100 BLK



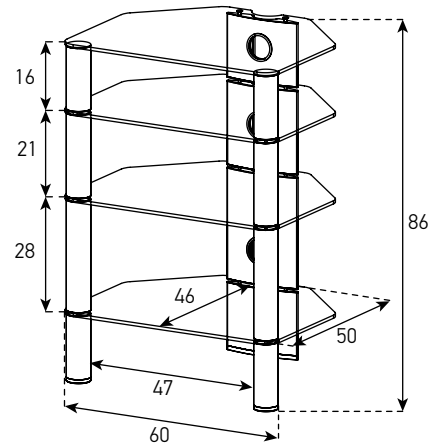
RX 2130-B-HBLK

MAX TOP LOAD
40 KG



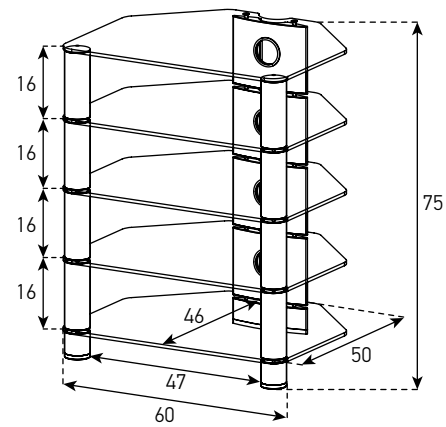
RX 2140-B-SLV

MAX TOP LOAD
40 KG



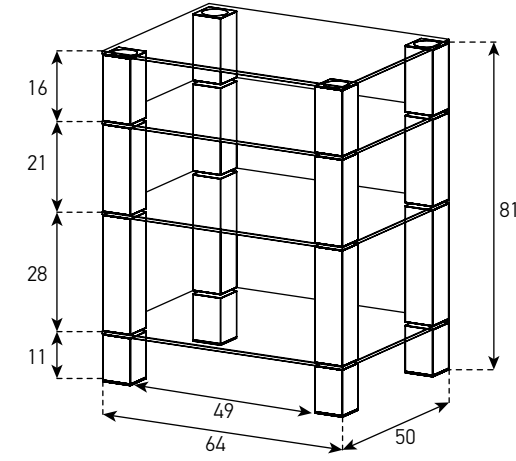
RX 2150-C-SLV

MAX TOP LOAD
40 KG



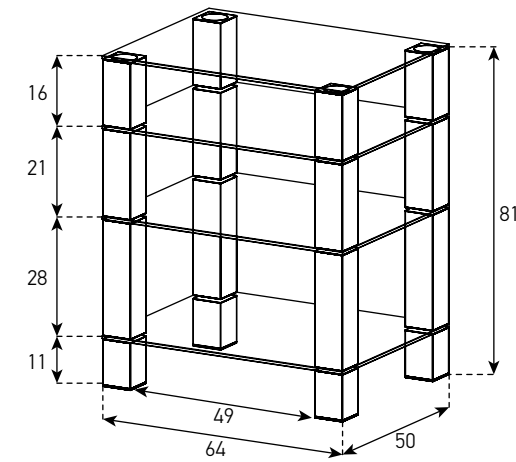
RX 5040-B-INX

MAX TOP LOAD
40 KG



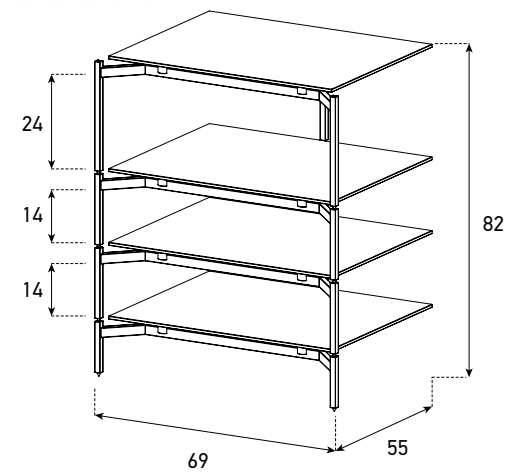
RX 5040-B-HBLK

MAX TOP LOAD
40 KG



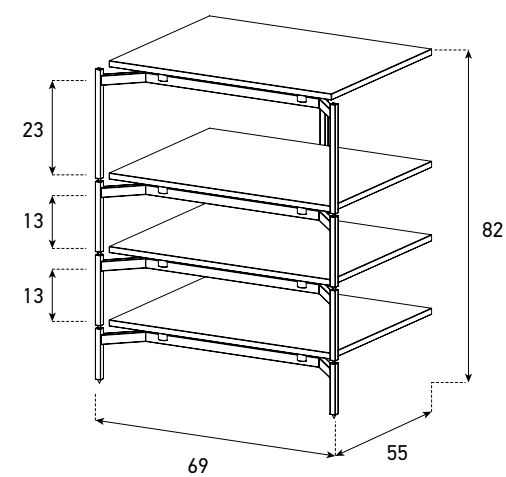
RX 6040-B-HBLK

MAX TOP LOAD
40 KG

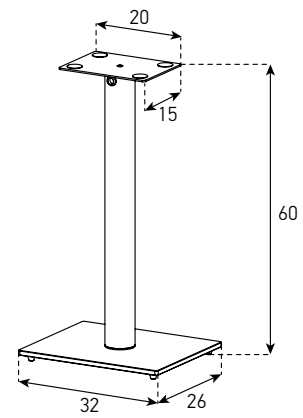


RX 6040-VIC-HBLK

MAX TOP LOAD
40 KG



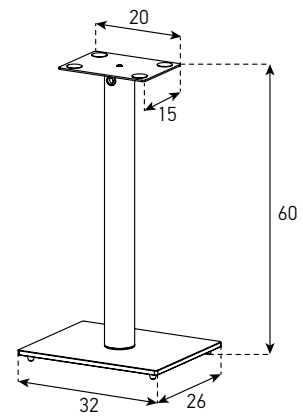
SP 100-B-HBLK



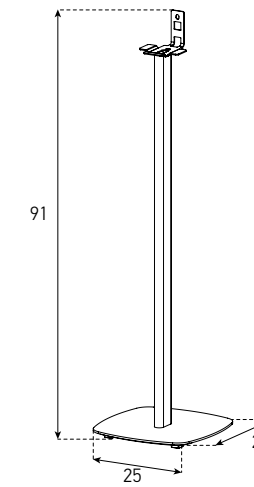
SP 300-B-HBLK



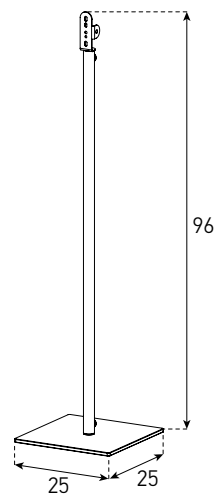
SP 100-WHT-WHT



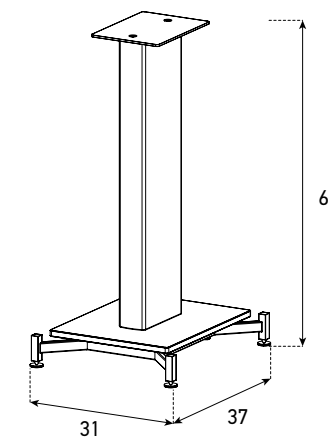
SP 500-BLK



SP 200-B-SLV



SP 600-B-HBLK



PROFFESIONAL SERIES

PR 2000

- 360° EASY-MOVE CASTORS (LOCKING OPTION)
- CABLE MANAGEMENT
- ADJUSTABLE HEIGHT WITH TELESCOPIC POLES (50 CM FLEXIBILITY)
- AV TRAY FOR ELECTRONIC DEVICES
- WIDE MOUNTING PATTERN, 90° ROTATION 2 OPTIONS FOR TV POSITION (LANDSCAPE /PORTRAIT)
- TV HEIGHT ADJUSTMENT MIN. 100 CM, MAX 150 CM.
- UPPER VIDEO TRAY SUPPORT (PROJECTOR / CONFERENCE CALL CAMERA)

PR 2550

- TEMPERED GLASS WITH FLAT POLISHED EDGE
- RECTANGLE SHAPED ALUMINIUM
- INTEGRATED CABLE MANAGEMENT SYSTEM
- HIDDEN CASTERS
- (24 °) SWIVEL SYSTEM
- ADJUSTABLE HEIGHT FOR BRACKET

PR 2000-N¹
PR 2550²

PR 2000-S¹
PR 2000-SG¹

ALUMINIUM COLORS

HBLK-HIGH GLOSS BLACK



SLV-SILVER



GLASS COLORS

C-CLEAR



B-PIANOBLACK



METAL COLORS

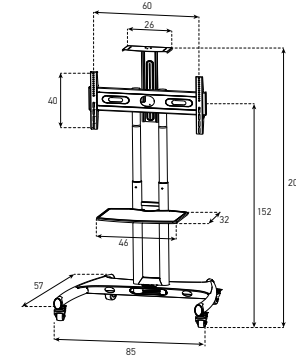
BLK-BLACK



PR 2000-N

MAX BRACKET LOAD
45 KG

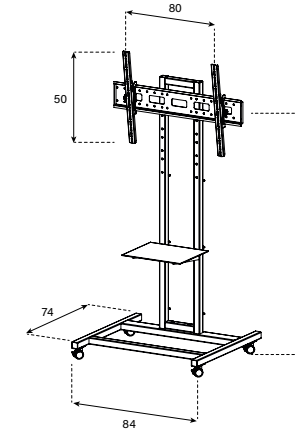
IDEAL SCREEN SIZE
65"



PR 2000-S

MAX BRACKET LOAD
45 KG

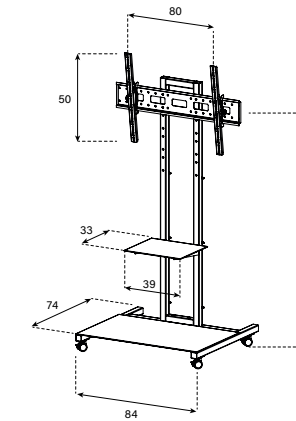
IDEAL SCREEN SIZE
65"



PR 2000-SG

MAX BRACKET LOAD
45 KG

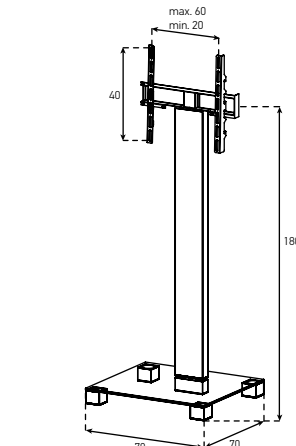
IDEAL SCREEN SIZE
65"



PR 2550-B-HBLK

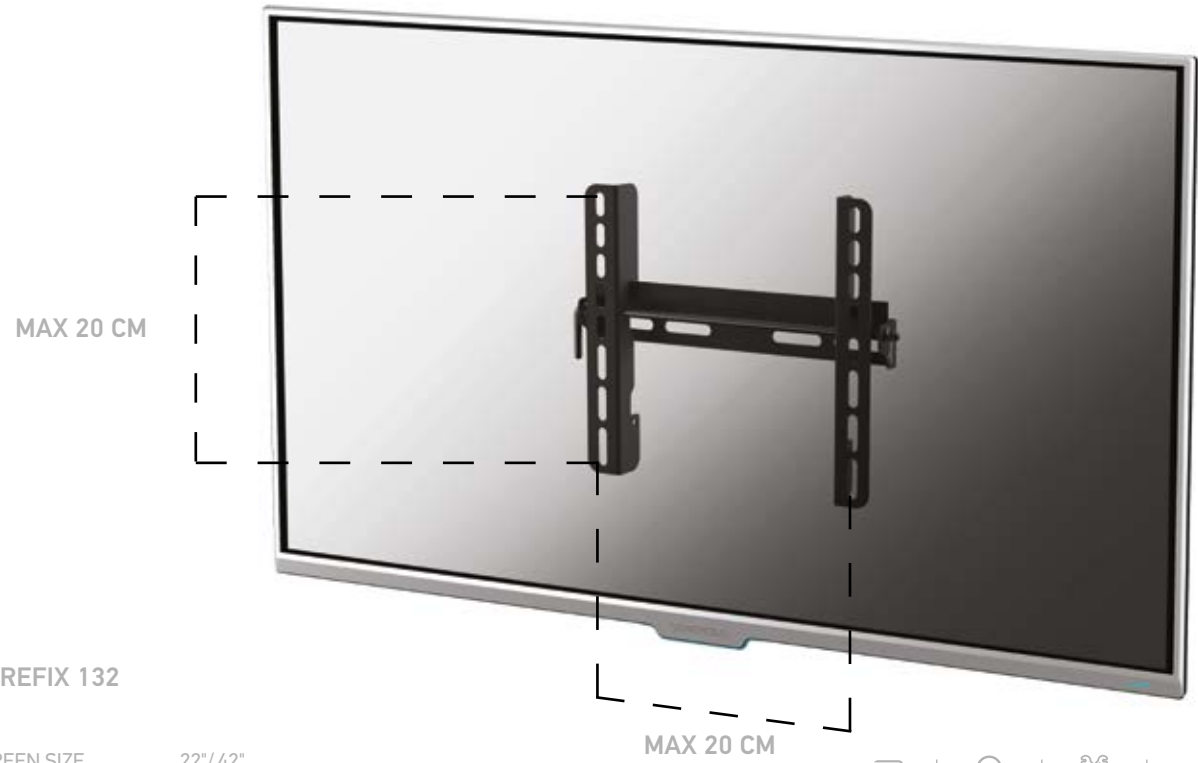
MAX BRACKET LOAD
50 KG

IDEAL SCREEN SIZE
50"



WALL MOUNTS

FIXED

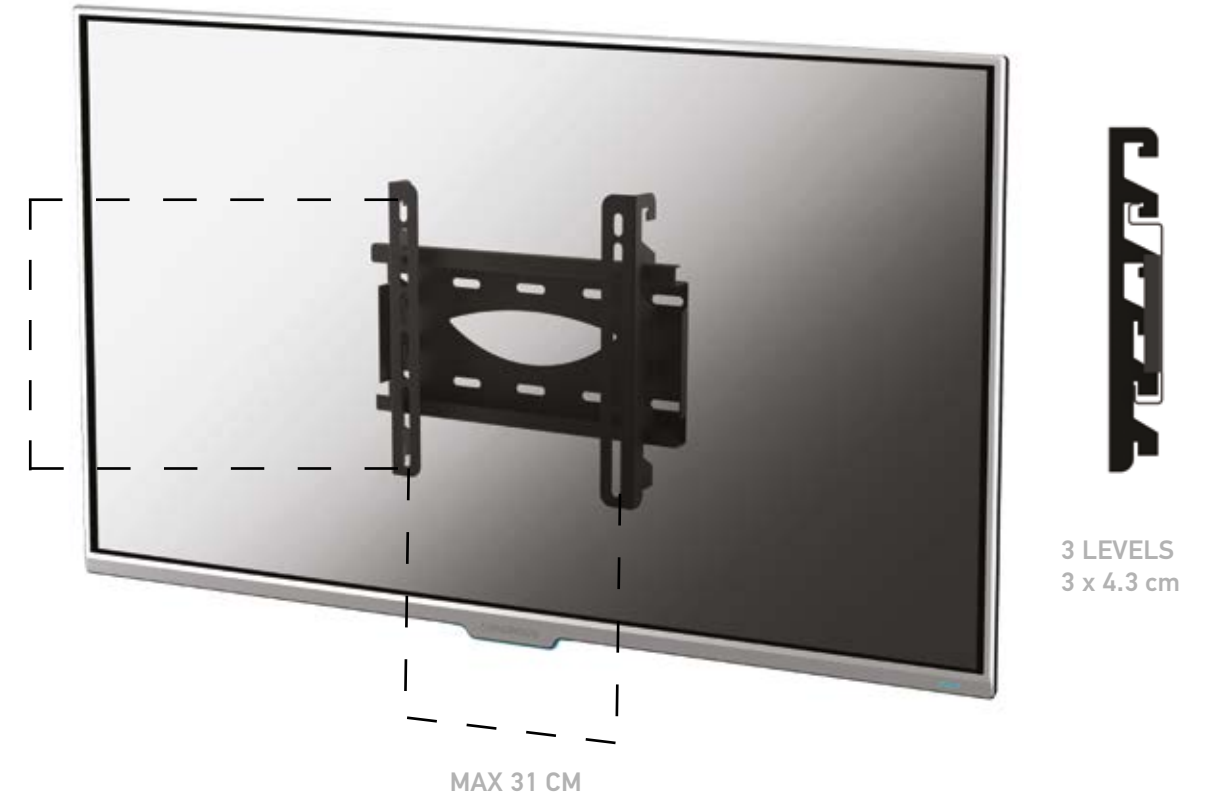


SUREFIX 132

SCREEN SIZE 22"/42"
 MAX. LOAD 40 KG
 DISTANCE TO WALL 29 MM



VESA IS A REGISTERED TRADE MARK OF VIDEO ELECTRONICS STANDARDS ASSOCIATION

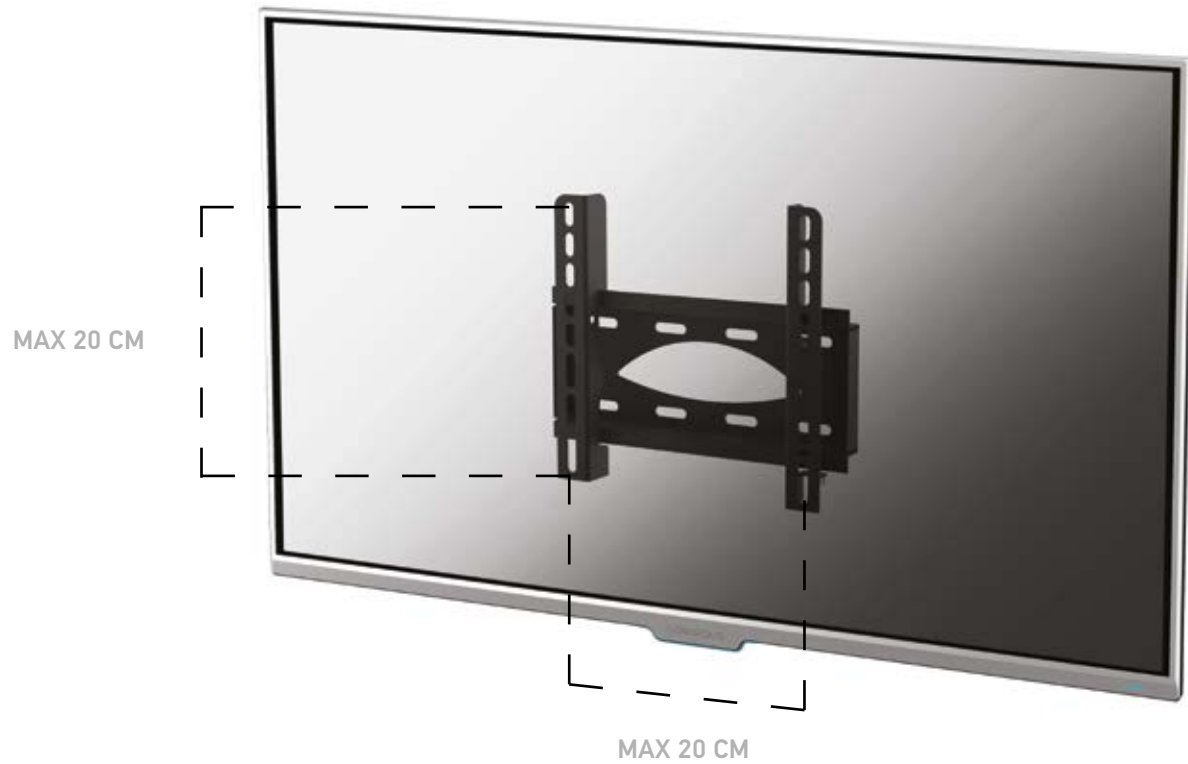


SUREFIX 221

SCREEN SIZE 22"/65"
 MAX. LOAD 30 KG
 DISTANCE TO WALL 39 MM
 ADJUSTABLE POSITION



VESA IS A REGISTERED TRADE MARK OF VIDEO ELECTRONICS STANDARDS ASSOCIATION

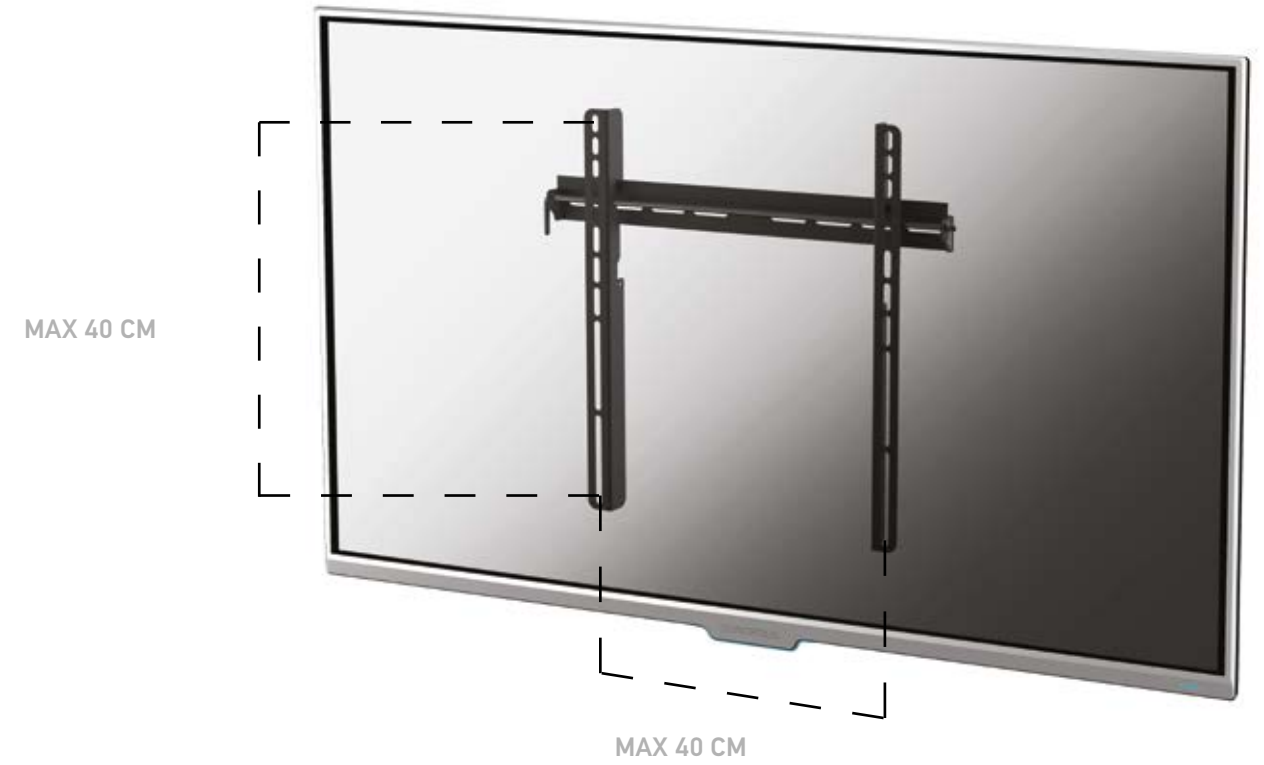


SUREFIX 220

SCREEN SIZE 22"/42"
 MAX. LOAD 40 KG
 DISTANCE TO WALL 36 MM



VESA IS A REGISTERED TRADE MARK OF VIDEO ELECTRONICS STANDARDS ASSOCIATION

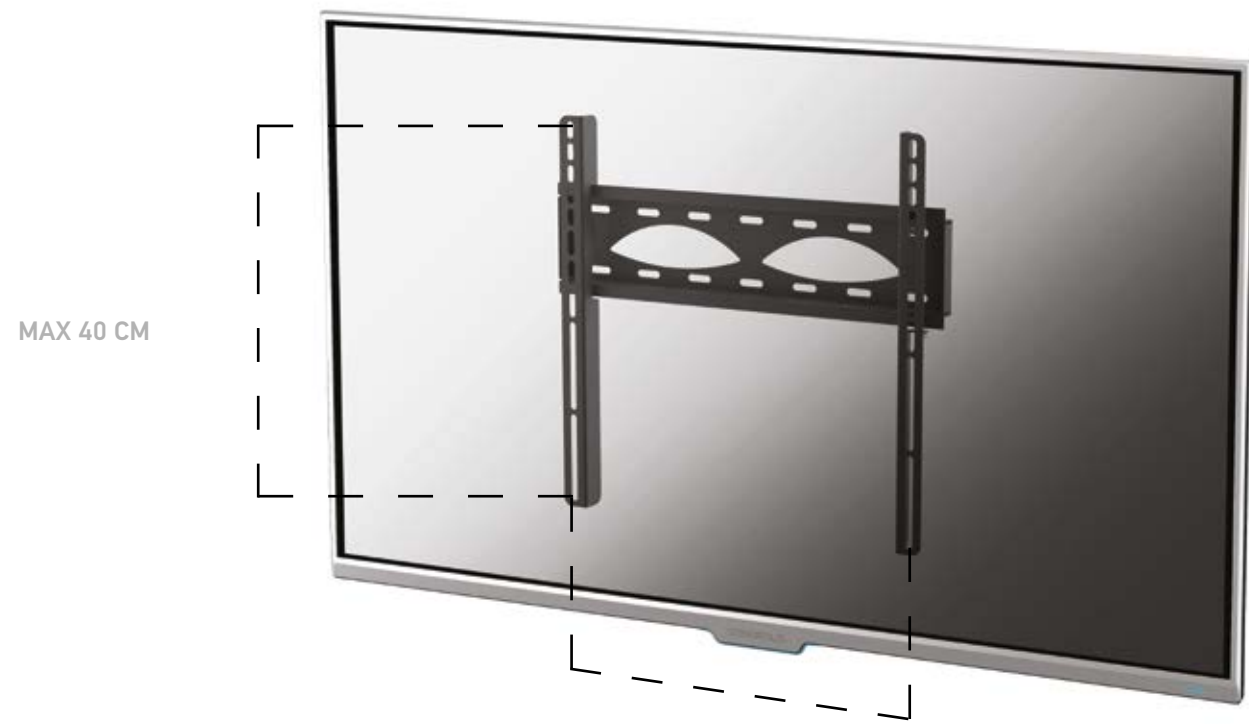


SUREFIX 142

SCREEN SIZE 26"/85"
 MAX. LOAD 50 KG
 DISTANCE TO WALL 29 MM



VESA IS A REGISTERED TRADE MARK OF VIDEO ELECTRONICS STANDARDS ASSOCIATION



MAX 40 CM

SUREFIX 230

MAX 40 CM

SCREEN SIZE 32"/85"
 MAX. LOAD 50 KG
 DISTANCE TO WALL 36 MM

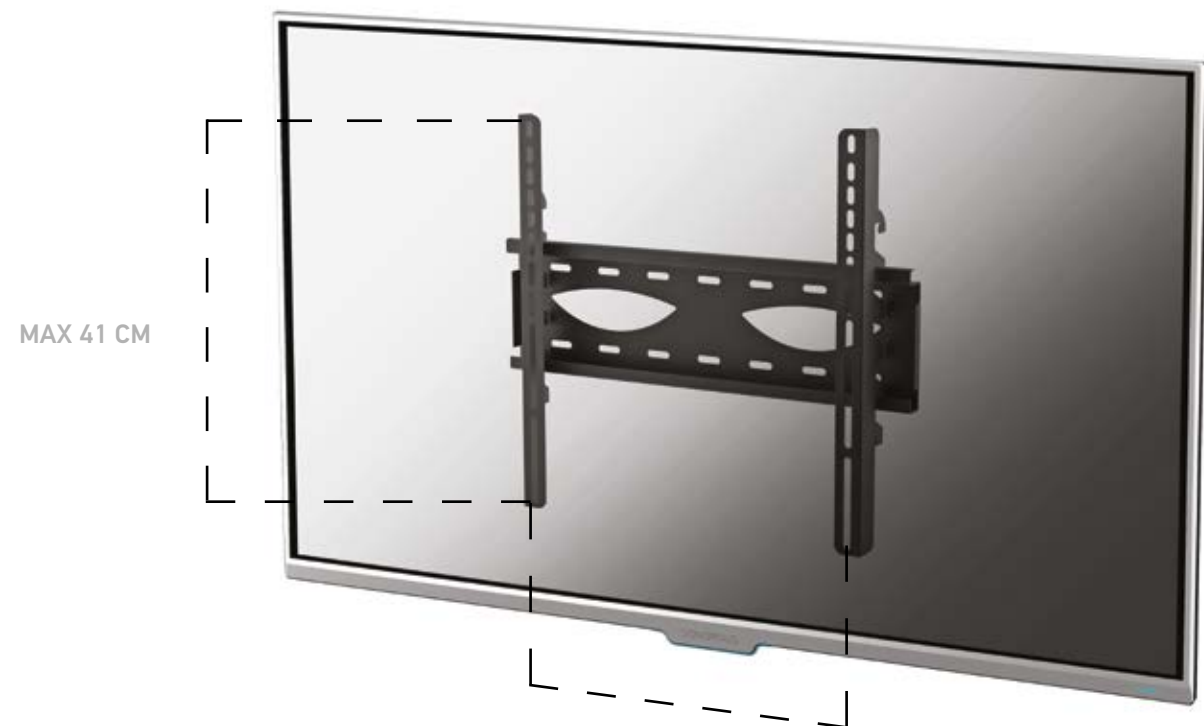


MAX 40 CM

SUREFIX 152

MAX 60 CM

SCREEN SIZE 40"/85"
 MAX. LOAD 70 KG
 DISTANCE TO WALL 29 MM



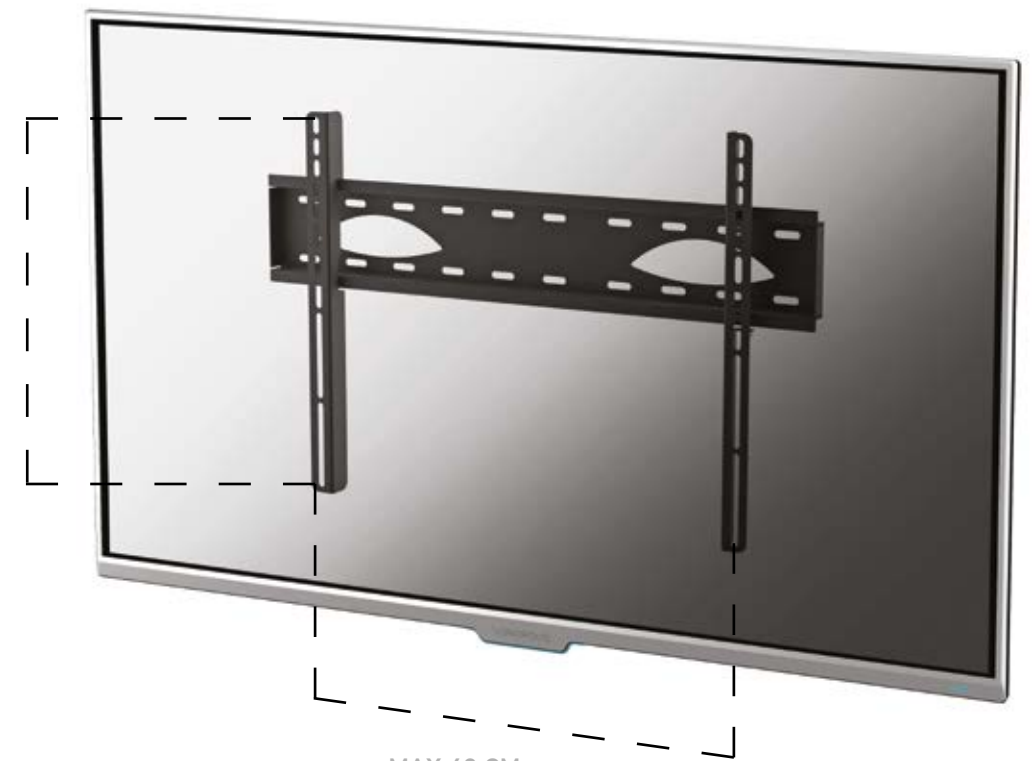
MAX 41 CM

SUREFIX 231

MAX 51 CM

SCREEN SIZE 32"/85"
 MAX. LOAD 40 KG
 DISTANCE TO WALL 53 MM
 ADJUSTABLE POSITION

3 LEVELS
 3 x 4.3 cm



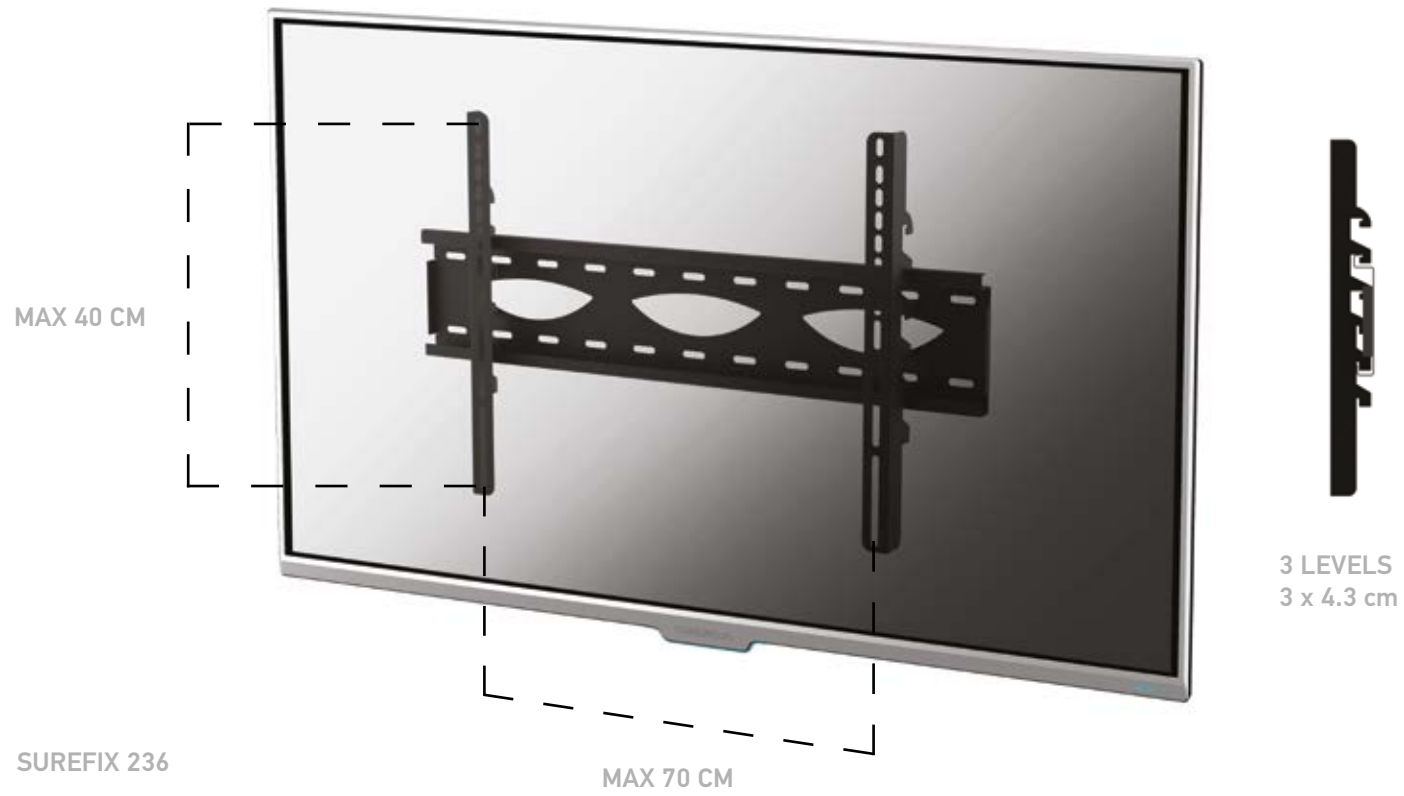
MAX 40 CM

SUREFIX 235

MAX 60 CM

SCREEN SIZE 32"/85"
 MAX. LOAD 60 KG
 DISTANCE TO WALL 36 MM



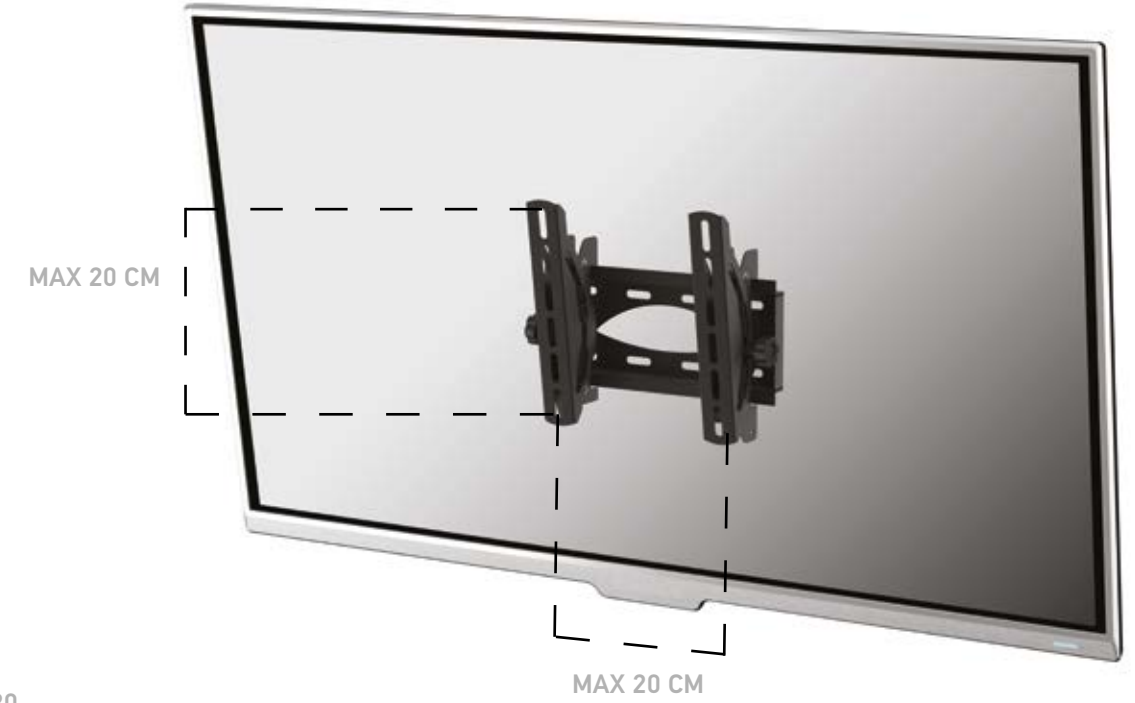


SUREFIX 236

SCREEN SIZE 32"/85"
 MAX. LOAD 50 KG
 DISTANCE TO WALL 53 MM
 ADJUSTABLE POSITION

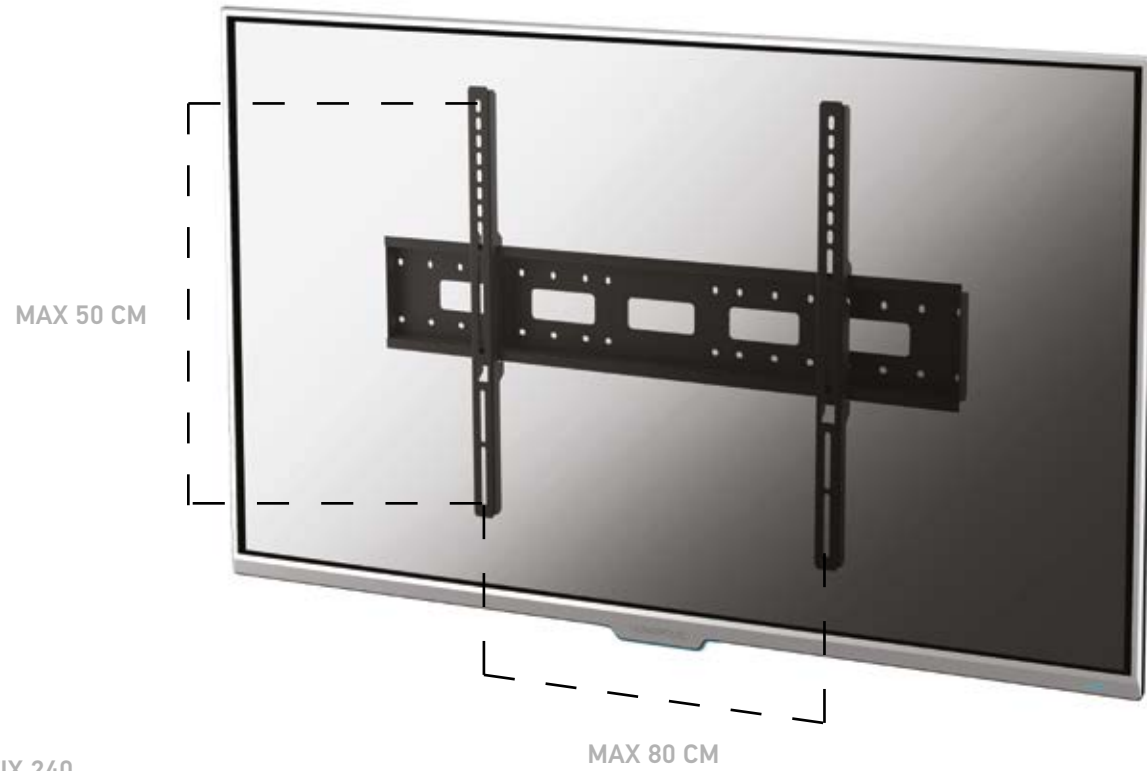


TILT



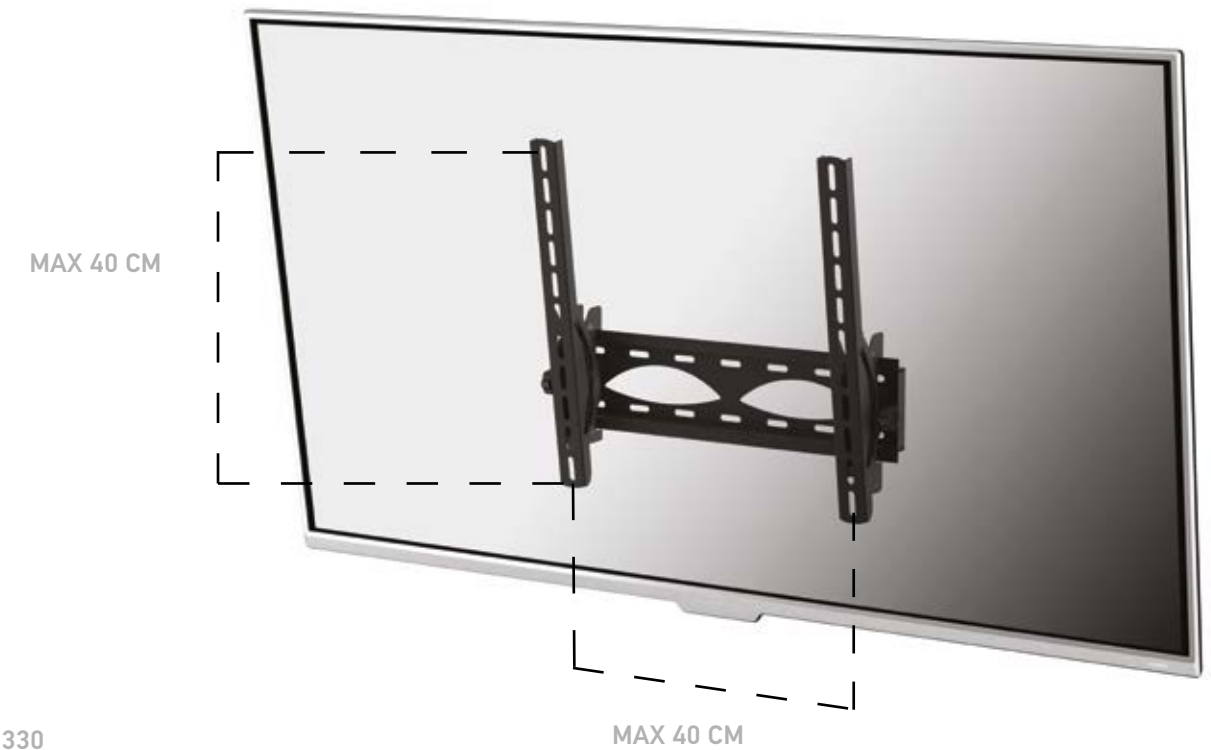
SUREFIX 320

SCREEN SIZE 22"/65"
 MAX. LOAD 30 KG
 DISTANCE TO WALL 69 MM
 TILT ±10°



SUREFIX 240

SCREEN SIZE 40"/85"
 MAX. LOAD 80 KG
 DISTANCE TO WALL 36 MM

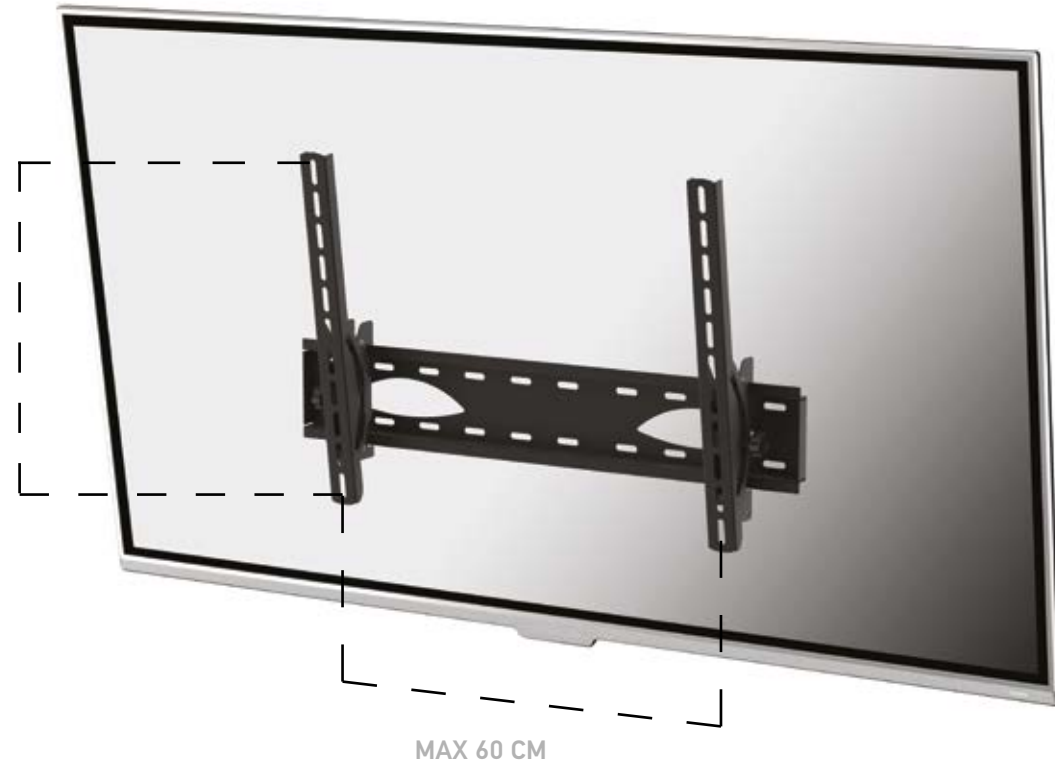


SUREFIX 330

SCREEN SIZE 26"/85"
 MAX. LOAD 40 KG
 DISTANCE TO WALL 69 MM
 TILT ±10°



MAX 40 CM



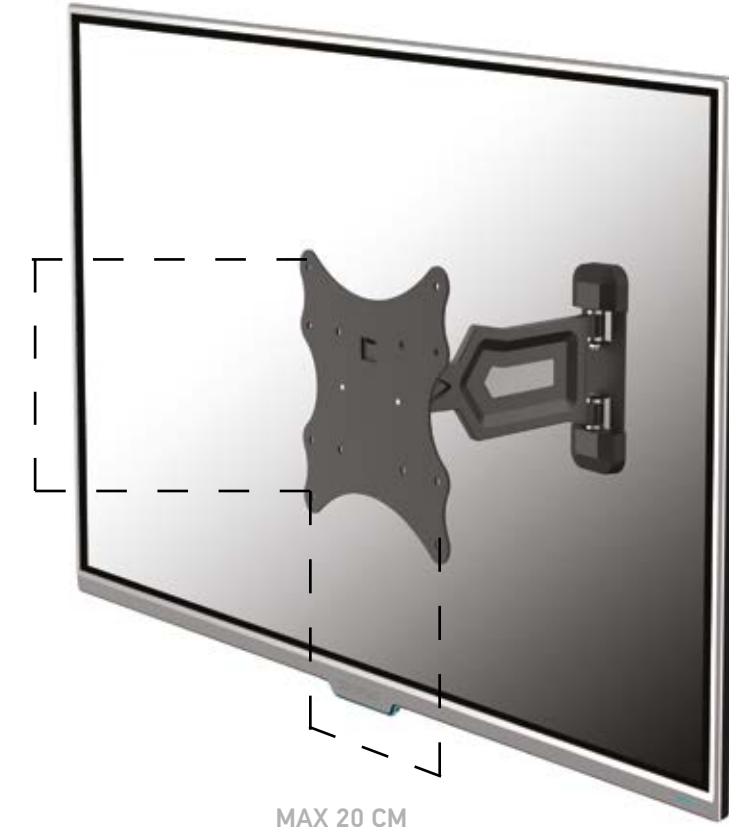
SUREFIX 335

SCREEN SIZE 40"/85"
MAX. LOAD 50 KG
DISTANCE TO WALL 69 MM
TILT ±10°



OMNI-MOVE

MAX 20 CM

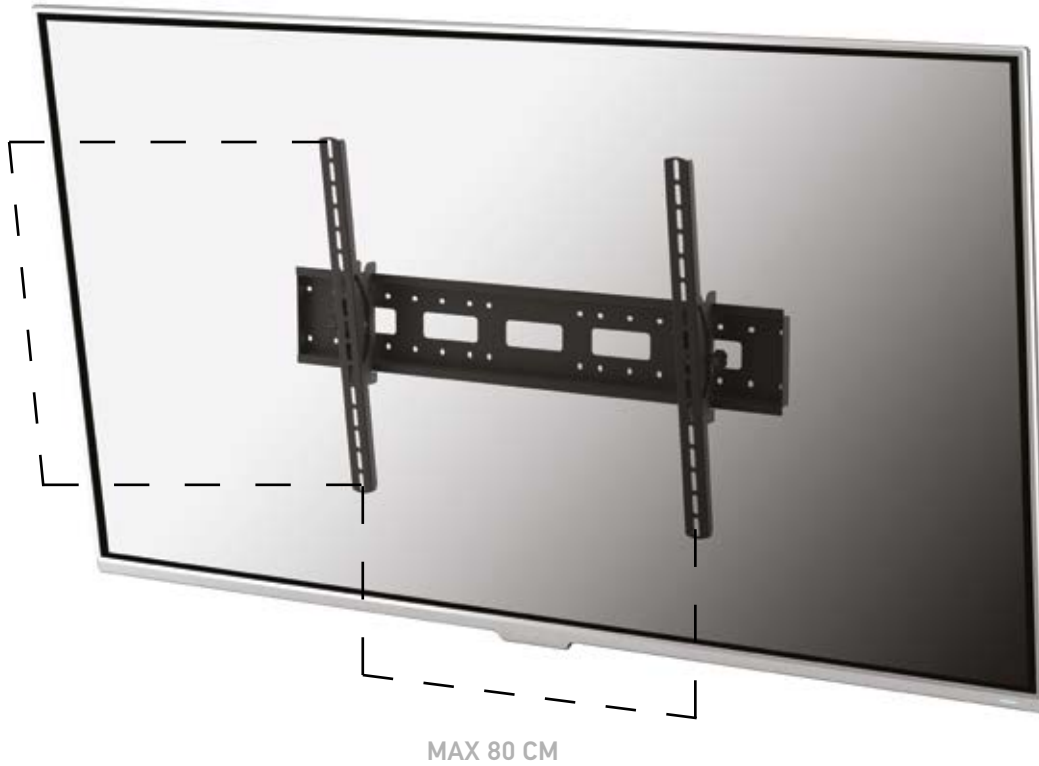


SUREFIX 515

SCREEN SIZE 22"/42"
MAX. LOAD 20 KG
DISTANCE TO WALL 54 - 250 MM
TILT -2/10°
SWIVEL 180°



MAX 50 CM

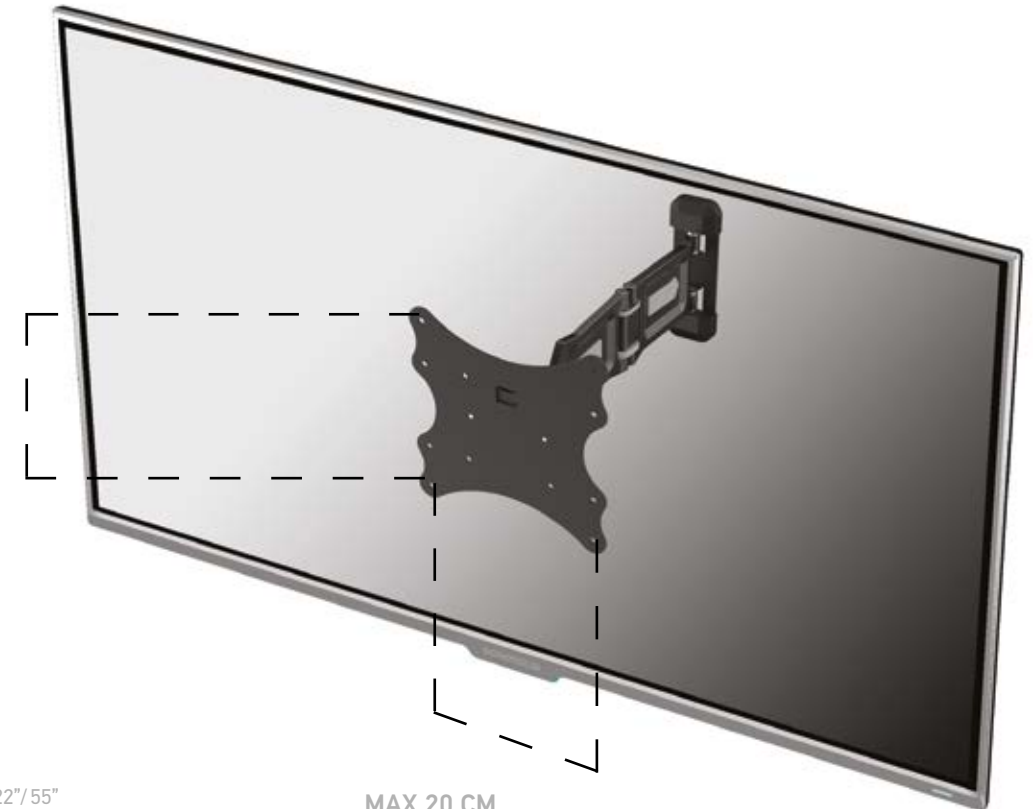


SUREFIX 340

SCREEN SIZE 40"/85"
MAX. LOAD 70 KG
DISTANCE TO WALL 72 MM
TILT ±10°



MAX 20 CM

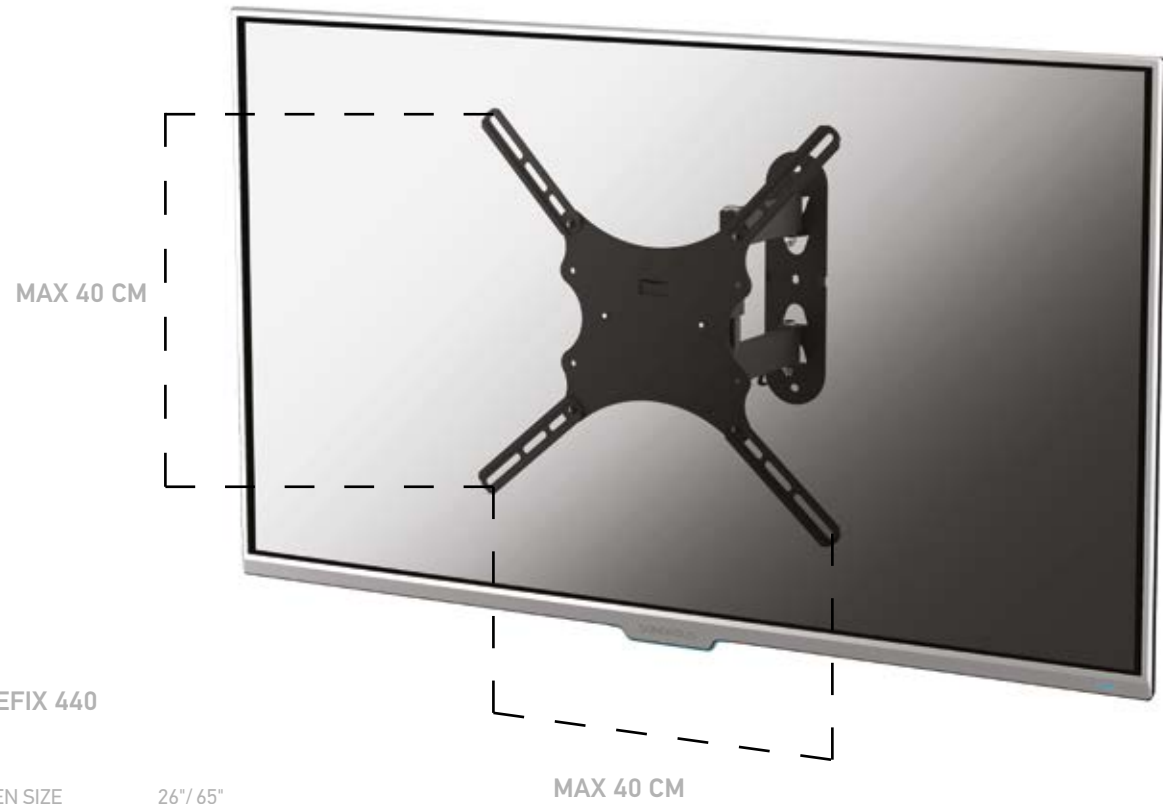


SUREFIX 525

SCREEN SIZE 22"/55"
MAX. LOAD 50 KG
DISTANCE TO WALL 55 - 438MM
TILT -2/10°
SWIVEL 180°



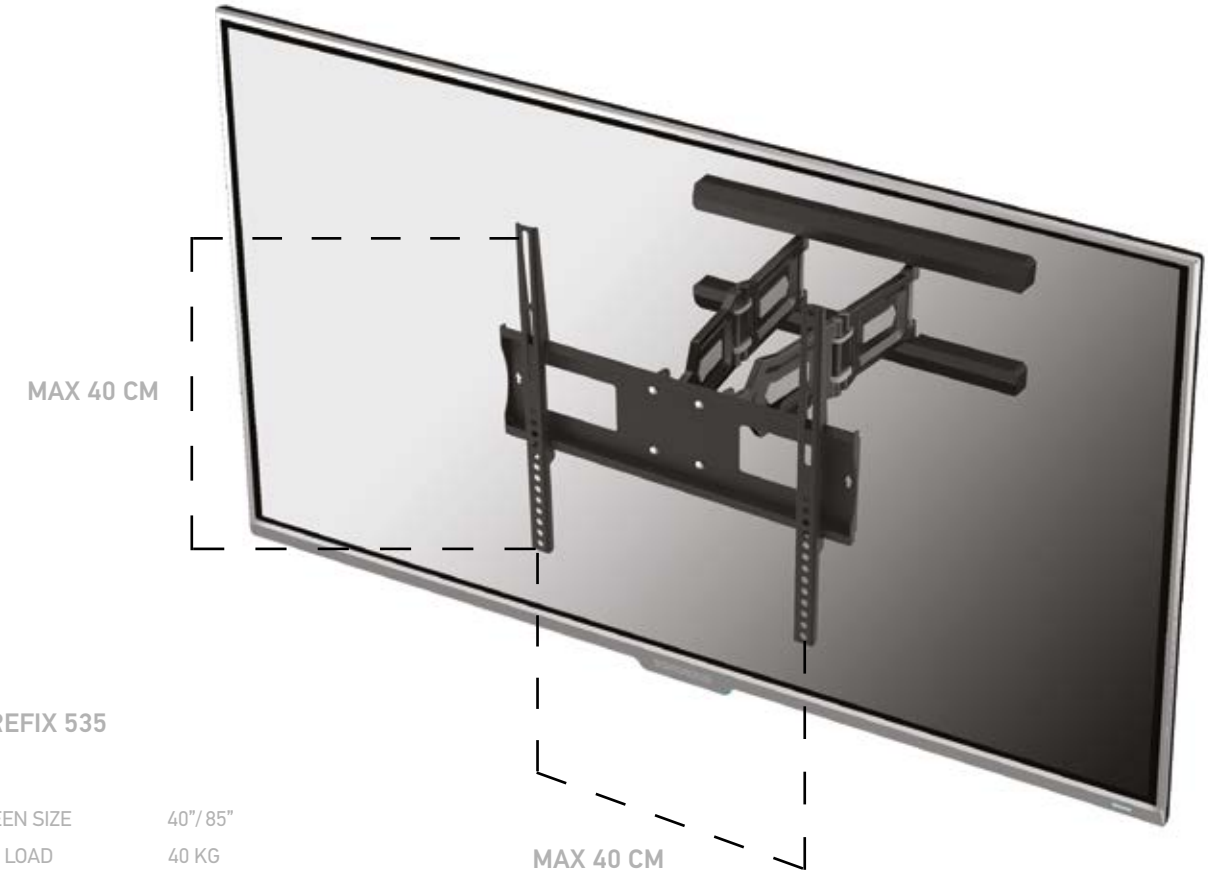
MAX 20 CM



SUREFIX 440

SCREEN SIZE	26"/65"
MAX. LOAD	25 KG
DISTANCE TO WALL	52-376 MM
TILT	±15°
SWIVEL	180°

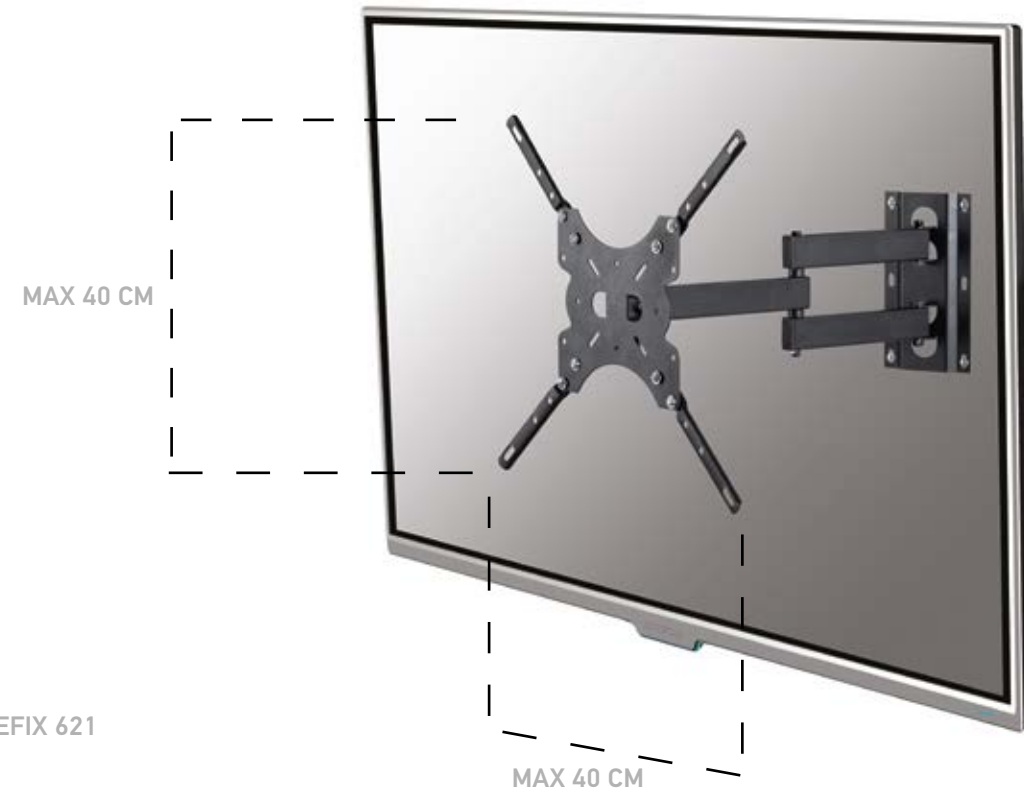
 UNIVERSAL |
  LIFETIME WARRANTY |
  ALL HARDWARE INCLUDED |
  FALL PROOF |
  VESA 200x200, 400x200, 400x400
VESA IS A REGISTERED TRADE MARK OF VIDEO ELECTRONICS STANDARDS ASSOCIATION



SUREFIX 535

SCREEN SIZE	40"/85"
MAX. LOAD	40 KG
DISTANCE TO WALL	80-465 MM
TILT	+5/-15°
SWIVEL	180°

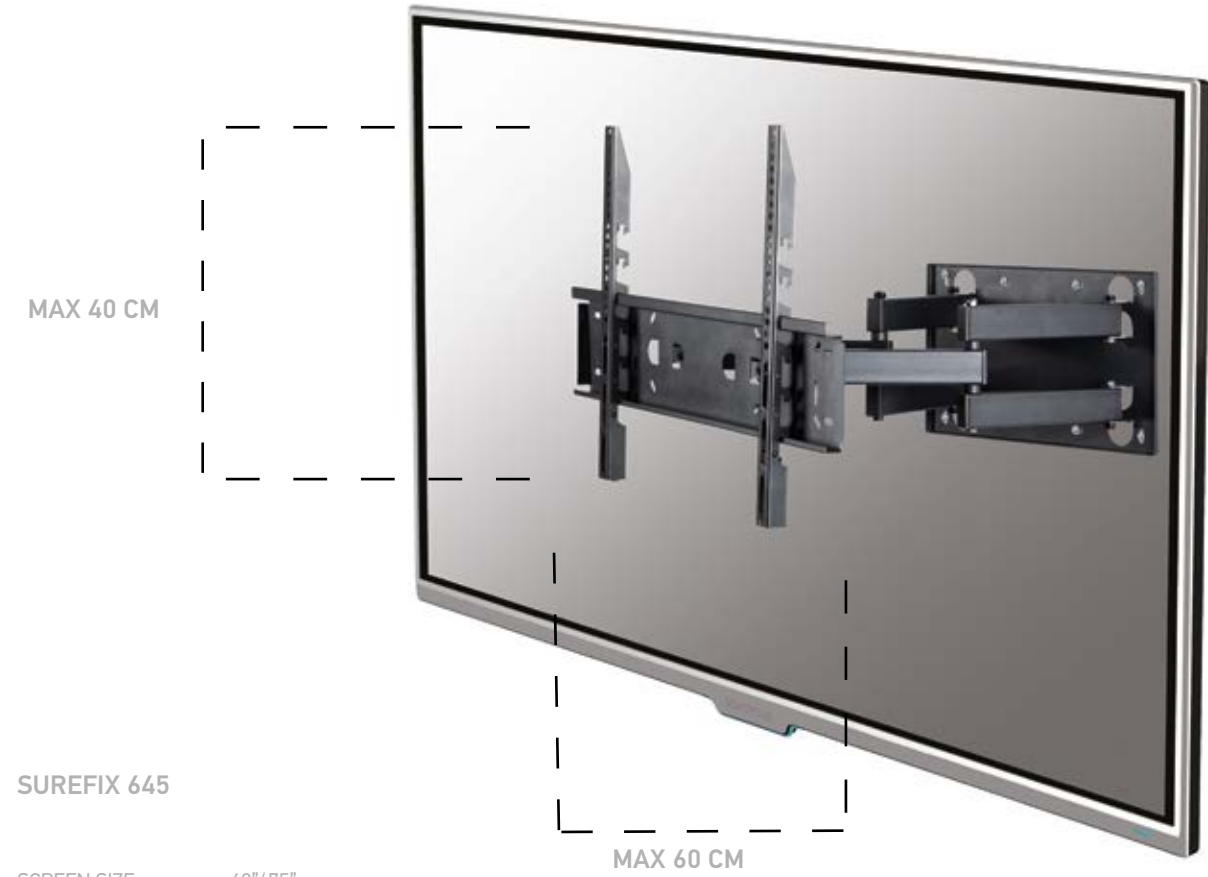
 UNIVERSAL |
  LIFETIME WARRANTY |
  ALL HARDWARE INCLUDED |
  FALL PROOF |
  VESA 200x200, 400x200, 400x400
VESA IS A REGISTERED TRADE MARK OF VIDEO ELECTRONICS STANDARDS ASSOCIATION



SUREFIX 621

SCREEN SIZE	26"/65"
MAX. LOAD	20 KG
DISTANCE TO WALL	50-500 MM
TILT	-2°/+15°
SWIVEL	180°

 UNIVERSAL |
  LIFETIME WARRANTY |
  ALL HARDWARE INCLUDED |
  FALL PROOF |
  VESA 200x200, 400x200, 400x400
VESA IS A REGISTERED TRADE MARK OF VIDEO ELECTRONICS STANDARDS ASSOCIATION



SUREFIX 645

SCREEN SIZE	40"/75"
MAX. LOAD	35 KG
DISTANCE TO WALL	130 - 500 MM
TILT	+5/-15°
SWIVEL	180°

 UNIVERSAL |
  LIFETIME WARRANTY |
  ALL HARDWARE INCLUDED |
  FALL PROOF |
  VESA 200x200, 300x300, 400x200, 400x400, 600x400
VESA IS A REGISTERED TRADE MARK OF VIDEO ELECTRONICS STANDARDS ASSOCIATION

SOUNDBAR



SUREFIX SOUNDBAR

MAX. LOAD 30 KG



CABLE CHANNEL



CC 50 CM / CC 100 CM AUDIO & VIDEO WALL SUPPORT

HEIGHT 50 CM / 100 CM
ALUMINIUM COLOR OPTIONS SILVER, BLACK



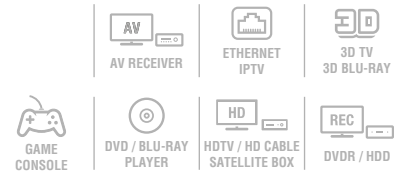
CABLES

HDMI



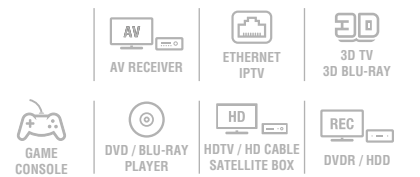
HDMI FLEX

HDMI 19 PIN-M TO HDMI 19 PIN-M
HDMI v2.0 COMPLIANT, SUPPORTS 1080P
100% TRIPLE SHIELD
24 K GOLD PLATED CONNECTORS
OXYGEN FREE COPPER CONDUCTORS
180° FLEXIBILITY
PLASTIC SHELL
1.5 M & 2 M LENGTH



HDMI PRO

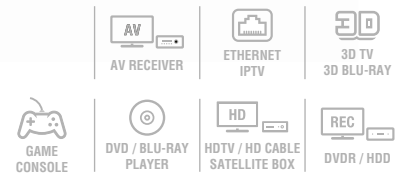
HDMI 19 PIN-M TO HDMI 19 PIN-M
HDMI v2.0 COMPLIANT, SUPPORTS 1080P
100% TRIPLE SHIELD
24 K GOLD PLATED CONNECTORS
OXYGEN FREE COPPER CONDUCTORS
PLASTIC SHELL
5 M, 10 M, 15 M, 20 M LENGTH





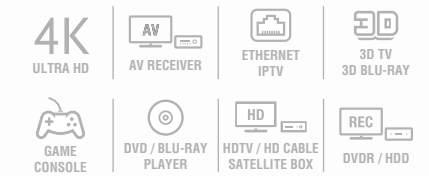
HDMI BLACK

HDMI 19 PIN-M TO HDMI 19 PIN-M
 HDMI v2.0 COMPLIANT, SUPPORTS 1080P
 100% TRIPLE SHIELD
 BLACK COLOR NYLON JACKET
 24 K GOLD PLATED CONNECTORS
 OXYGEN FREE COPPER CONDUCTORS
 HIGH GLOSS METALLIC SHELL
 1.5 M & 2 M & 3 M LENGTH



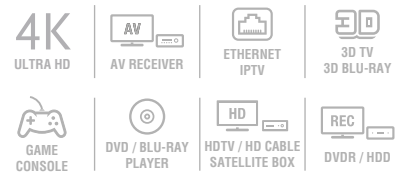
HDMI SILVER

HDMI 19 PIN-M TO HDMI 19 PIN-M
 HDMI v2.0 COMPLIANT, SUPPORTS 1080P
 100% TRIPLE SHIELD
 SILVER COLOR NYLON JACKET
 24 K GOLD PLATED CONNECTORS
 OXYGEN FREE COPPER CONDUCTORS
 PLASTIC SHELL
 1.5 M & 2 M LENGTH



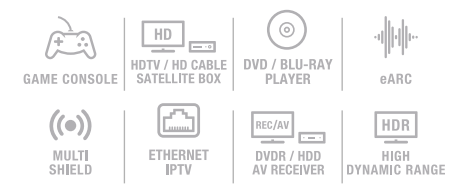
HDMI ULTRA HD

HDMI 19 PIN-M TO HDMI 19 PIN-M
 HDMI v2.0 COMPLIANT, SUPPORTS 1080P - 2160P
 100% TRIPLE SHIELD
 BLACK COLOR NYLON JACKET
 24 K GOLD PLATED CONNECTORS
 OXYGEN FREE COPPER CONDUCTORS
 PLASTIC SHELL
 1.5 M, 2 M & 3 M XLENGTH



HDMI ADVANCED

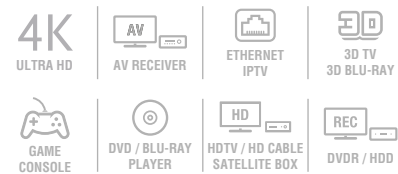
HDMI 19 PIN G/F, SHELL G/F
 SUPPORT 4K RESOLUTION AT 120HZ, 8K RESOLUTION AT 60HZ,
 FEATURES DYNAMIC HDR, eARC, ALLM, QFT, QMS AND VRR
 100% TRIPLE SHIELD
 HIGH PURITY OXYGEN FREE COPPER WIRING
 HDR, HDCP 2.2 & 2.3, DTS: X, DOLBY ATMOS AND DOLBY VISION
 BLACK COLOR PVC JACKET
 GOLD PLATED CONNECTORS
 PLASTIC SHELL
 2 M LENGTH





HDMI SLIM

HDMI 19 PIN-M TO HDMI 19 PIN-M
 HDMI v2.0 COMPLIANT, SUPPORTS 1080P
 100% TRIPLE SHIELD
 WHITE & BLACK COLOR CABLE
 24 K GOLD PLATED CONNECTORS
 OXYGEN FREE COPPER CONDUCTORS
 SHORT PLASTIC SHELL
 1.5 M & 3 M LENGTH

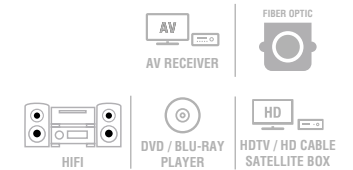


AUDIO



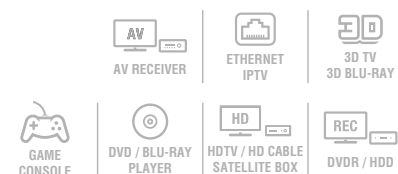
OPTIC

Fiber Optic / Toslink Audio connection
 For transmitting the optical digital audio signal, e.g. CD player to amplifier
 1.5 M, 3 M LENGTH



HDMI EVO

HDMI 19 PIN-M TO HDMI 19 PIN-M
 HDMI v2.0 COMPLIANT, SUPPORTS 1080P
 100% TRIPLE SHIELD
 24 K GOLD PLATED CONNECTORS
 OXYGEN FREE COPPER CONDUCTORS
 PLASTIC SHELL
 1.5 M & 3 M LENGTH



USB

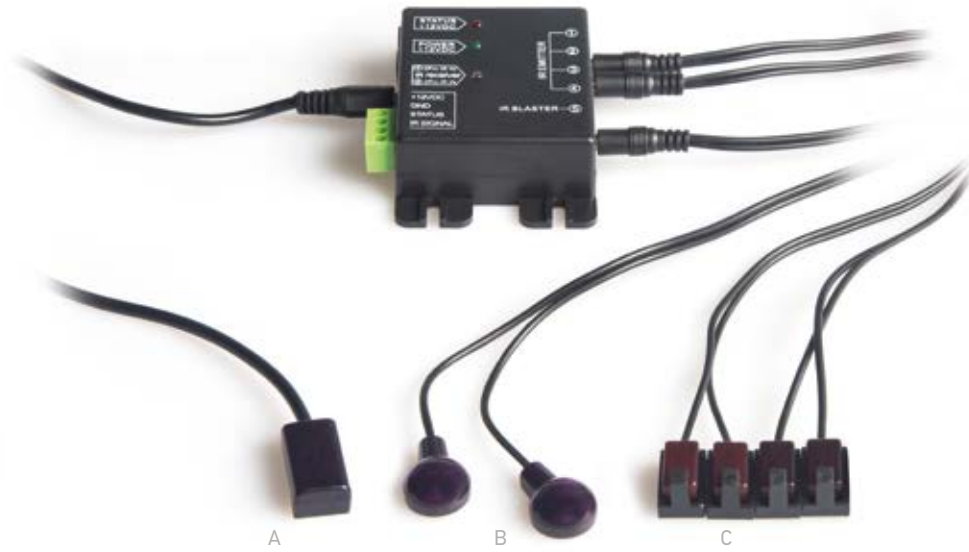


USB TYPE-C

TYPE-C TO USB-A CABLE
 HIGH SPEED DATA TRANSFER CHARGING AND DATA SYNCHRONIZATION
 USB 2.0 COMPATIBLE
 1.5 M LENGTH



IR REPEATER



IR REPEATER
Full Control for Home Theater Components Located Behind Cabinet Doors

- HIDDEN IR REPEATER BOX
- IR RECEIVER WITH 2 M CORD (A)
- TWO DUAL OUTPUT BLASTERS WITH 2 M CORD AND MINI PLUG CONNECTOR (B)
- FOUR DUAL OUTPUT EMITTERS WITH 2 M & 4 M CORD AND MINI PLUG CONNECTOR (C)
- PLUG-IN POWER SUPPLY



TV STRAP - ANTI TIP



The TV Strap improves the safety of your home. It connects the TV to furniture to prevent tipping over due to earthquakes or impacts, which could otherwise result in serious injuries and even fatalities in the case of children. With its universal design, the Anti-Tip Strap can support TVs up to 84".



ACCESSORIES

REMOTE STAND 500

Brown

White

Black



MONITOR STAND



MAX. LOAD: 10 KG



SONOROUS®

