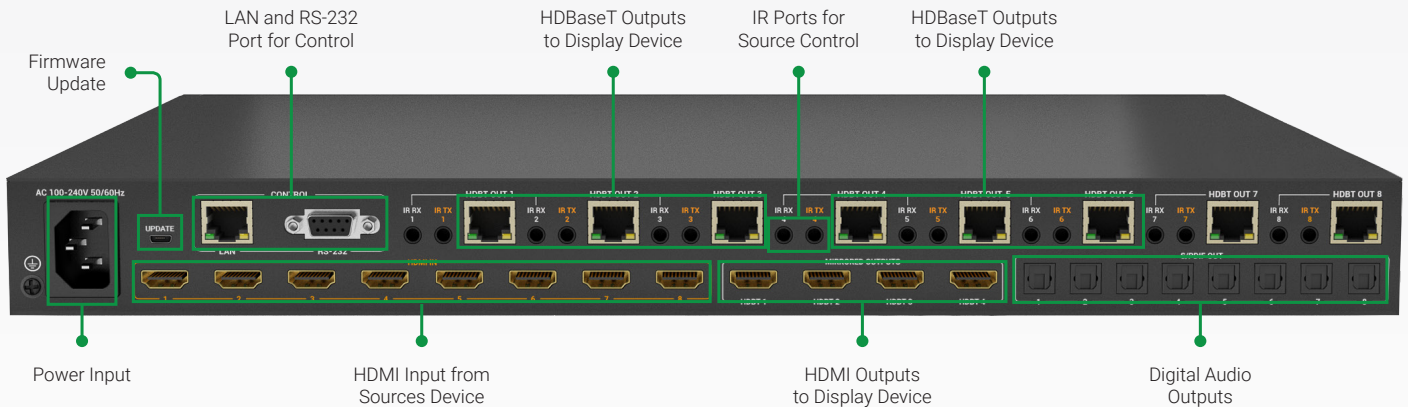


8x8 4K HDR HDBaseT Matrix with 4 Mirrored HDMI Outputs and Audio Breakout

MXV-0808-H2A-70

WyreStorm

Specification Sheet



WyreStorm - Because the Technology Matters.

Introduction

Following the overwhelming success of our newly released MXV range, WyreStorm's MXV-70 range now offers transmission of HDMI content up to 4K/60 4:4:4 & HDR to 70m/230ft, pairing powerful HDBaseT & WyreStorm's variable light compression technology's. The MXV-0808-H2A-70 has 6 HDBaseT zone outputs with PoH and 4 mirrored HDMI outputs which can be paired with WyreStorm's HAOC hybrid optical HDMI cables or any extender for transmission of HDBaseT or OM3 fibre. The MXV-0808-H2A-70 also lets you do even more with your audio, offering audio breakout from either source or output via Toslink optical. CEC triggering for all connected screens and A/V mute function enhances the offering for the modern home or commercial installation.

Key Features

- 4K HDR HDBaseT™ 6x6 Matrix Switch, supporting:
 - Content up to 4K/60 4:4:4 & RGB 8-bit
 - The latest HDR standards, including 60Hz HDR-10 & HLG and Dolby Vision at 30Hz
 - HDCP 2.2 encryption technology ensuring compatibility with the latest 4K UHD content and sources
 - HD Multichannel audio up to DTS:X and Dolby Atmos to all outputs
- Proprietary compression algorithm enables 60Hz 4K UHD content (4:4:4 or HDR) to be sent over HDBaseT to 70m/230ft
- 4 HDMI outputs mirroring HDBaseT Outputs 1-4 for connecting additional slave screens, projectors or AVR's
- HDMI Inputs and HDMI outputs support bandwidths of up to 18Gbps
- Compatible with DVI-I and DP++ v1.3 signals from compatible devices
- 8 Assignable audio outputs allow audio to be independently de-embedded from sources or outputs via Toslink optical.
- Automatic (signal sensing) or manual (API operated) CEC power triggering of all connected screens or projectors (CEC compatibility required)
- A/V Mute function gives complete distribution control to a user allowing the signal to any zone to be independently switched off
- SmartEDID feature also dynamically detects display/source capabilities and automatically outputs the highest possible resolution
- Additional EDID management through DIP switches for global setting or via WebUI for independent management of EDID per source
- Assign a different EDID to each connected source device
- Embedded WyreStorm WebUI enables simple source switching and installer set-up & configuration
- WebUI includes full EDID management to read, copy, store or import EDID from connected devices
- API triggered standby mode places the unit into a low power state allowing for lower power consumption during downtime
- Flexible control options – front panel buttons, infrared remote control, local IR, RS-232, Telnet or WebUI
- 3.5mm jack input for receiving local IR commands out of line-of-sight
- Simple switching matrix remote control included, which can also be learned into a universal remote handset to allow the control of multiple devices from one handset
- 2-way IR for far-end device control from control system or source control from a zone.
- Option for end-user WebUI switching interface
- Compact 1U chassis with adjustable depth rack mounting brackets included
- US, UK, EU & AU Power cables included
- Can be combined with WyreStorm EXP-CON-DAC-D digital audio converter to downmix Dolby Digital 5.1 content to mix stereo and surround sound zones
- Capable of transmitting content to 50m/164ft using WyreStorm HAOC range of hybrid optical HDMI cables

In the Box

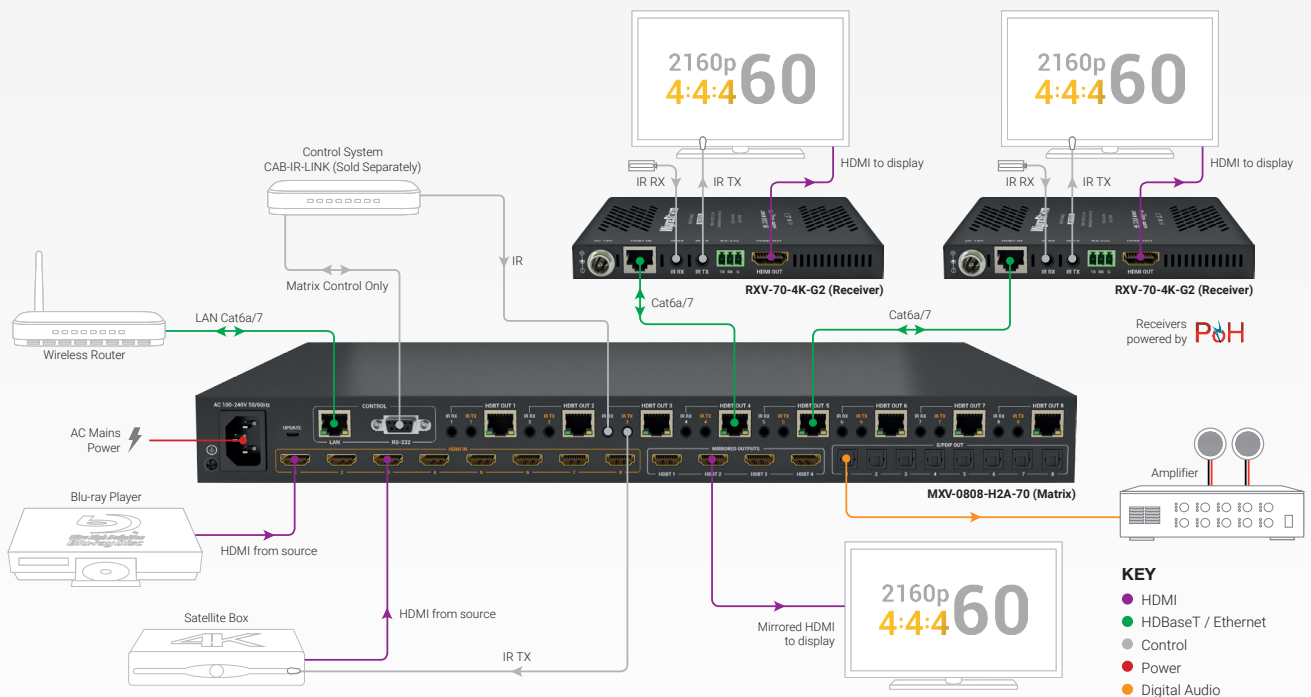
1x MXV-0808-H2A-70 Matrix
1 x AC Power Cord with EU pins
1 x AC Power Cord with US pins
1 x AC Power Cord with UK pins
1 x AC Power Cord with AU pins

1x IR Remote (CR2025 Battery not Included)
8x IR Emitter
8x IR Receiver
2x Matrix Mounting Brackets with screws
1x Quickstart Guide

Specifications

Audio and Video				
Inputs	8x HDMI In: 19-pin type A			
Outputs	8x HDBT Out: 8-pin RJ-45 Female 8x S/PDIF Out: TOSLINK (Digital Optical) 4x HDMI Out: 19-pin type A			
Output Video Encoding	HDBaseT Class A			
Encoding Data Rate	9.2Gbps			
End to End Latency (Max)	10µs (micro seconds)			
Audio Formats	Analog: 2ch Analog S/PDIF: 2ch LPCM Dolby Digital and DTS up to 5.1ch HDMI: 2ch LPCM Multichannel up to Dolby Atmos and DTS-X			
Video Resolutions (Max)	Video Resolution	HDMI	Cat6	Cat6a/7
	1920x1080p @60Hz 12bit	15m/49ft	100m/328ft	100m/328ft
	1920x1080p @120Hz 12bit	7m/23ft	70m/230ft	100m/328ft
	3840x2160p @24Hz 10bit 4:2:0 HDR	15m/49ft	100m/328ft	100m/328ft
	3840x2160p @30Hz 8bit 4:4:4	7m/23ft	70m/230ft	100m/328ft
	3840x2160p @60Hz 10bit 4:2:0 HDR	5m/16ft	70m/230ft	100m/328ft
	3840x2160p @60Hz 12bit 4:2:2 HDR	5m/16ft	70m/230ft	100m/328ft
	4096x2160p @60Hz 8bit 4:2:0	7m/23ft	70m/230ft	100m/328ft
	4096x2160p @60Hz 8bit 4:4:4	5m/16ft	70m/230ft	100m/328ft
Note: WyreStorm recommends the use of shielded category cable to minimize signal noise and interference				
Supported Standards	DCI RGB HDR HDR10 Dolby Vision up to 30Hz HLG BT.2020 BT.2100			
Maximum Pixel Clock	HDMI: 600MHz HDBaseT: 297MHz			
Communication and Control				
HDMI	HDMI 2.0 HDCP 2.2 EDID CEC Input supports DVI/D and DisplayPort Dual-Mode (DP++) v1.3 with adapter (not included)			
HDBaseT	HDMI 2.0 HDCP 2.2 EDID CEC 1-way PoH Bidirectional IR			
CEC	CEC power triggering via API Requires CEC compatibility			
IR	8x IR RX: 3.5mm (1/8in) TRS Stereo 8x IR TX: 3.5mm (1/8in) TS Mono			
RS-232	1x RS-232: 9-pin DB9 Female Matrix Control Telnet commands supported			
Ethernet	1x LAN: 8-pin RJ-45 Female Web UI Matrix Control			
Power				
Power Supply	100~240V AC 50/60Hz			
Max Power Consumption	169W			
Environmental				
Operating Temperature	0 to + 45°C (32 to + 113 °F), 10% to 90%, non-condensing			
Storage Temperature	-20 to +70°C (-4 to + 158 °F), 10% to 90%, non-condensing			
Maximum BTU	577 BTU/hr			
Dimensions and Weight				
Rack Units/Wall Box	1U			
Height	43.5mm/1.72in			
Width	440mm/17.33in			
Depth	330mm/13in			
Weight	4.95kg/10.89lbs			
Regulatory				
Safety and Emission	CE FCC RoHS RCM			

Right Product for the Right Application.



Note: WyreStorm reserves the right to change product specification, appearance or dimensions of this product at any time without prior notice.