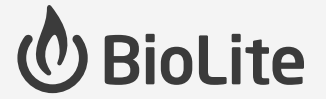


FirePit Carry Bag

Durable Canvas Haul Bag



Fits FirePit & All Accessories Inside

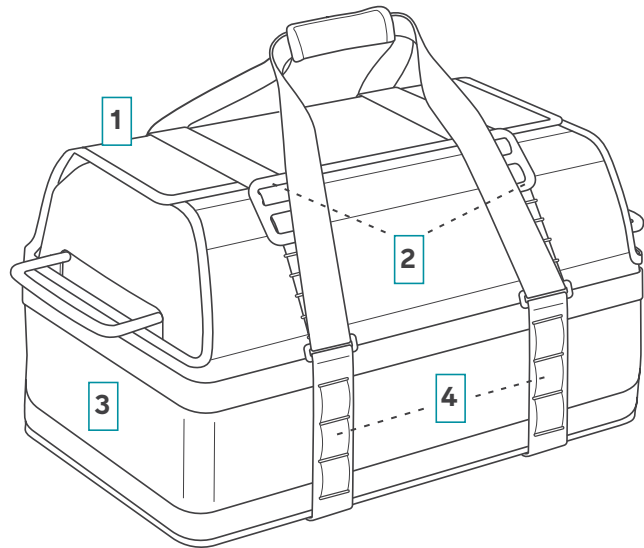


Doubles as Firewood Carrier



Designed for use with BioLite FirePit
(sold separately)

1. Durable, Water-Resistant Canvas
2. Reinforced Straps With G-Hook For Secure Carry
3. Outer Pockets For Kindling, Matches, And Other Tools
4. Elastic Loops For Quick Outer Storage



Tech Specs

MATERIALS

Heavy-Duty Canvas

DIMENSIONS

24 x 16 x 12.5 in
(61 x 41 x 32 cm)