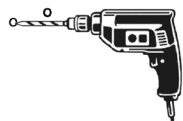
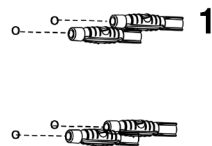


Level the mount and mark.

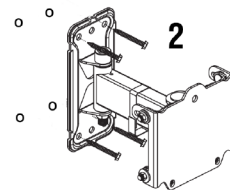


Drill the mounting holes.

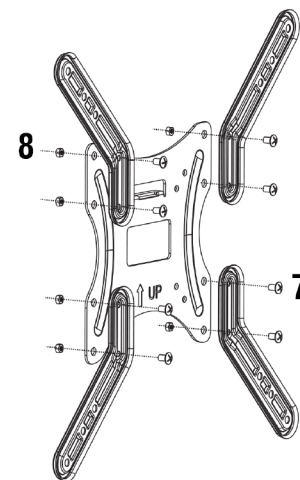


Insert the wall anchors* to the wall and tap them flush with a hammer.

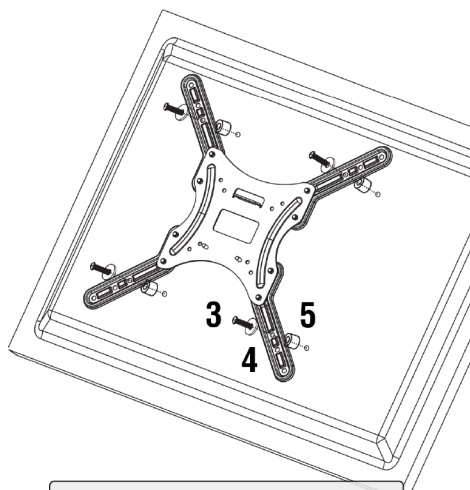
* Never use wall anchors on drywall



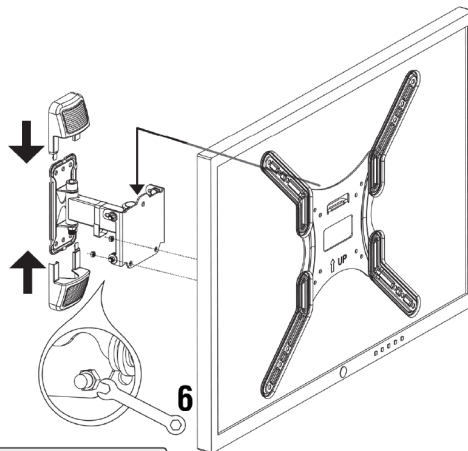
Fix the plate to the wall.



Attach the extensions to the base if needed.

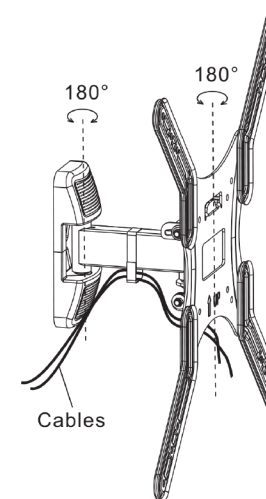


Attach the mount to the screen.



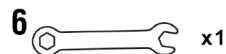
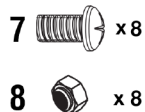
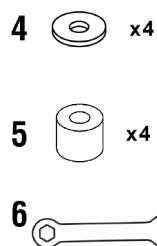
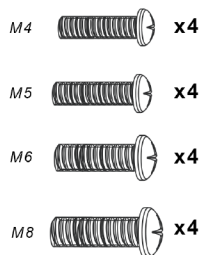
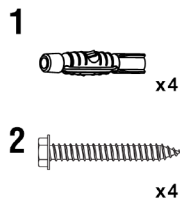
Secure the safety lock.

Slide the mount to wall plate.



Cable Management

HARDWARE KIT



Adjustable adapter installation

